

\* FASHION LOOP CONSISTING OF SEVERAL TURNS OF WIRE AND RADIATE SIGNAL FROM GENERATOR TO LOOP OF RECEIVER, ADJUST TRIMMER FOR MAXIMUM OUTPUT.

**COMPONENT VALUES**

RESISTORS: HALF WATT UNLESS OTHERWISE SPECIFIED.  
 20% TOLERANCE, UNLESS OTHERWISE SPECIFIED.  
 R = 1000 OHMS.  
 M = 1,000,000 OHMS.  
 CONDENSERS: T = TUBULAR, FOLLOWED BY CAP IN MFD. & VOL. & DCW.V.  
 E = ELECTROLYTIC, FOLLOWED BY CAP IN MFD. & VOL. IF CRITICAL.  
 C = CERAMIC, FOLLOWED BY CAP IN MFD. & VOL. IF CRITICAL.  
 M = MIC. FOLLOWED BY CAP IN MFD. & VOL. IF CRITICAL.

**ALIGNMENT AND SENSITIVITY**

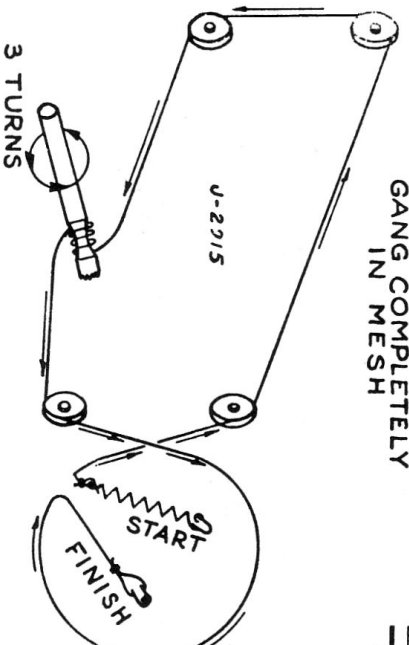
SIGNAL GENERATOR MODULATED 30% AT 400 CY.

| STEP | APPLY SIGNAL AT K.C. | TUNING RANGE  | SET GANG AT | ADJUST FOR MAX. OUTPUT        | NOMINAL SENSITIVITY FOR 500 MILLIWATTS OUTPUT |
|------|----------------------|---------------|-------------|-------------------------------|---|
| 1    | 455                  | 12BA6 1/2 PIN | .05         | 2ND. I.F.                     | 2500 μV.                                      |
| 2    | 455                  | 12BE6 1/2 PIN | .05         | 1ST. I.F.                     | 70  |
| 3    | 1460                 | 12BA6 1/2 PIN | .05         | OSC. AND INTERSTAGE TRIMMERS  | 30  |
| 4    | 1460                 | ANT.          | *           | ANTENNA & INTERSTAGE TRIMMERS | 60 μV./M.                                     |
| 5    | 600                  | ANT.          | *           | CHECK ONLY                    | 250 μV./M.                                    |

ALL VOLTAGES ± 10% MEASURED TO B - WITH 20,000 OHM / VOLT METER, 117 VOLT, 60 CYCLE LINE AND ZERO SIGNAL INPUT.  
 PHONO-RADIO SWITCH SHOWN IN PHONO (COUNTERCLOCKWISE) POSITION.

**Electrohome "Riviera A"**

GANG COMPLETELY IN MESH



117 V.A.C.

