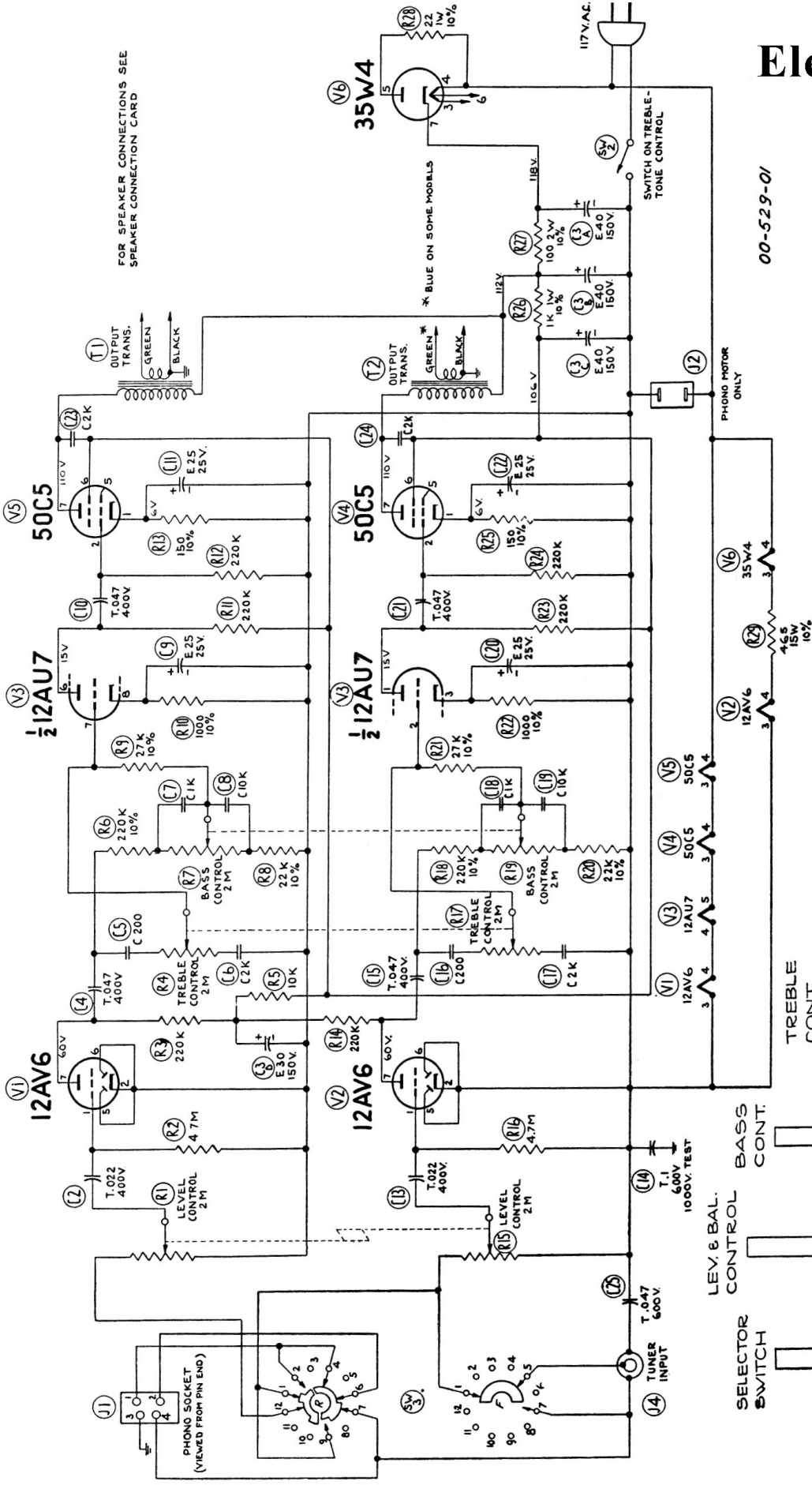


Electrohome PA-340S



00-529-01

COMPONENT VALUES:
 RESISTORS - WATT, UNLESS OTHERWISE NOTED.
 20% TOLERANCE, UNLESS OTHERWISE NOTED.
 K = 1000 OHMS
 M = 1000,000 OHMS.

CONDENSERS:
 T = TUBULAR, FOLLOWED BY CAPACITY IN MFD, DC W.V.
 E = ELECTROLYTIC, " " IN MFD, DC W.V.
 C = CERAMIC, " " IN MMFD, TOL. IF CRITICAL.
 ALL VOLTAGES MEASURED TO CHASSIS WITH 20,000 OHM/VOLT METER AT 117 LINE VOLTAGE.