

Speaker leads have been color coded as have the terminals on the speaker to show proper connection of speakers for phasing.

REPLACEMENT PARTS LIST

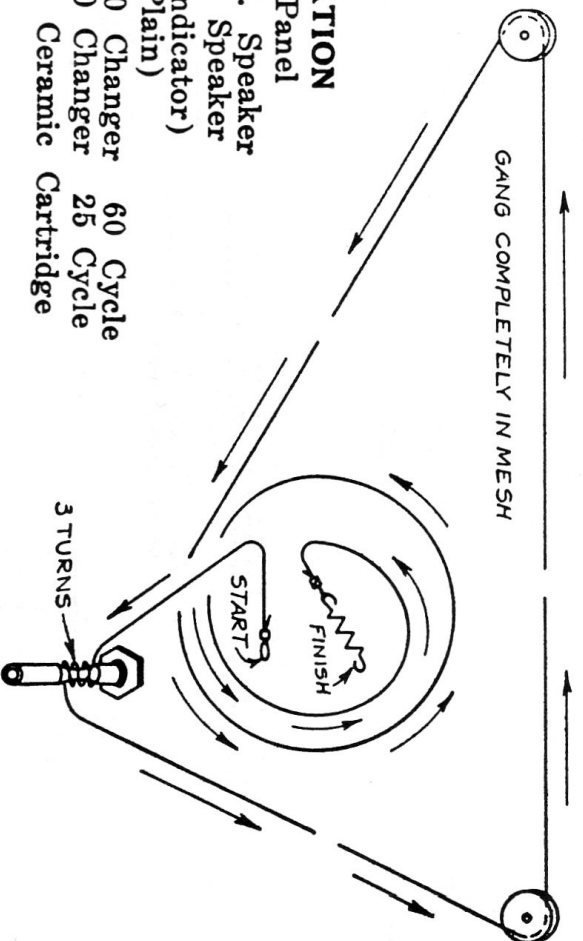
- A-2720.....Dial Scale
- B-4123-6.....Drive Shaft
- G-604-1.....Electrolytic 5 ufd. 20 V AC non-polarized
- G-605-1.....Electrolytic 5 ufd. x 50 W.V. Electrolytic — Triple — 40 & 40 ufd. x 350 W.V.
- G-522.....20 ufd. x 150 W.V.
- K-771A.....Pilot Lamp 6-8V .25A #44
- LK-515-1.....Output Transformer 60 Cycle
- LK-445-2.....Power Transformer 25 Cycle
- LK-444-2.....Power Transformer 25 Cycle
- MP-1204-7.....Pointer & Slider Assembly
- P-1843-1.....1st I.F. Transformer
- P-1844.....2nd I.F. Transformer
- P-2499-1.....BC Ant. Loading Coil
- P-2279-6.....BC Interstage Coil
- P-1965.....BC Osc. Coil
- P-2500-1.....SW Ant. Coil
- P-1986.....SW Interstage Coil
- P-1987.....SW Oscillator Coil
- Q-308-3.....Selector Switch
- R-317-6.....Volume Control with Switch
- R-323-3.....Tone Control
- V-351-2.....Gang Condenser

ALIGNMENT AND SENSITIVITY SIGNAL GENERATOR MODULATED 30% AT 400 C. P. S.					
APPLY SIGNAL AT KC.	THRU SERIES DUMMY	SET GANG AT	ADJUST FOR	NOMINAL SENSITIVITY FOR 500 MILLIWATTS OUTPUT.	ALL THESE VALUES APPLY ONLY WITH TONE CONTROL SET AT CENTRE POSITION
455	68K I.F. 175M	.05 ufd	MAN. OUTPUT	800	15V. THESE VALUES APPLY ONLY WITH TONE CONTROL SET AT CENTRE POSITION
455	68E6 175M	.05 ufd	1ST I.F. & 2ND I.F.	150	WITH TONE CONTROL SET AT CENTRE POSITION
1460	68E6 175M	.05 ufd	B.C. OSC. TRIM	180	AT CENTRE POSITION
1460	ANT.	*	B.C. ANT. I.F. INTERSTAGE TRIM	40	uV/m.
600	ANT.	*	B.C. OSC. PADDER	100	uV/m.
16MC.	ANT.	400 u	S.W. OSC. TRIM	20	
10MC.	ANT.	400 u	S.W. OSC. CHECK POINT	15	

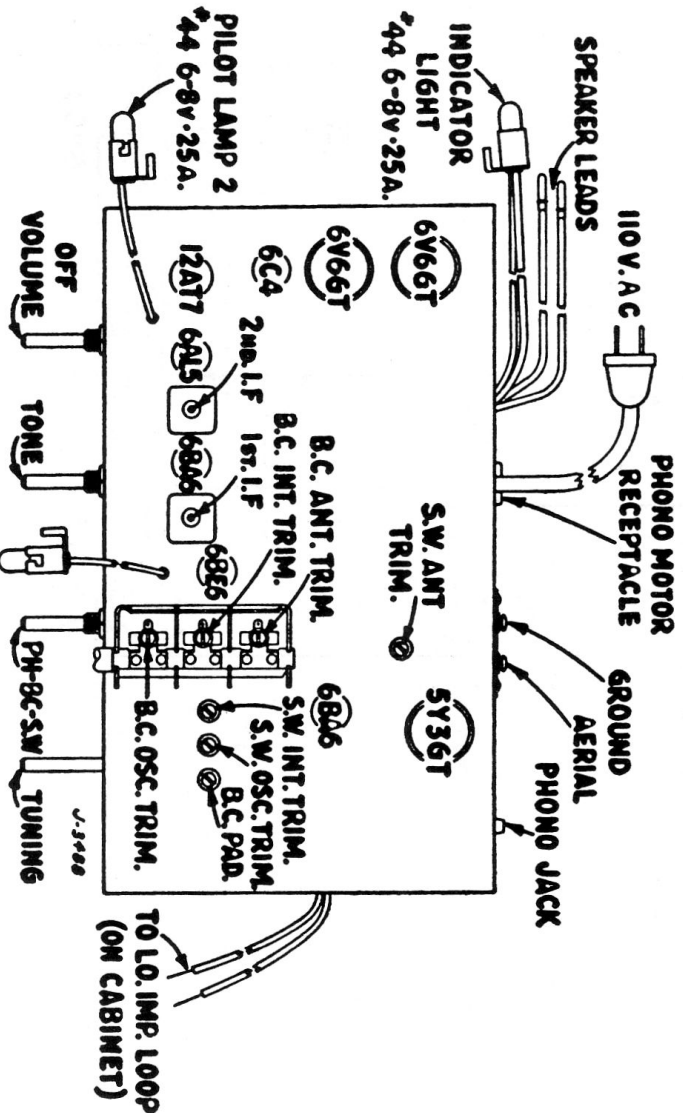
* FASHION LOOP OF SEVERAL TURNS OF WIRE AND RADIATE SIGNAL INTO LOOP OF RECEIVER, ADJUST FOR MAXIMUM OUTPUT. FOR STEPS 4 AND 5 LOOP ON CABINET MUST BE CONNECTED OR DUPLICATED.

INSTALLATION

- A-2901.....Control Panel
- K-1654.....12" P.M. Speaker
- K-1644.....5" P.M. Speaker
- N-437-2.....Knob (Indicator)
- N-437-3.....Knob (Plain)
- P-2786-4.....Web. 140 Changer 60 Cycle
- P-2787-4.....Web. 140 Changer 25 Cycle
- #9980S.....Sonotone Ceramic Cartridge



STRINGING DETAIL



CHASSIS LAYOUT CHART