

### ALIGNMENT AND SENSITIVITY

STEP	APPLY SIGNAL AT KC.	THRU SERIES DUMMY	SET GANG AT	ADJUST FOR MAX. OUTPUT FOR 50 MILLIWATTS OUTPUT	NOMINAL SENSITIVITY
1	455	12B6G 1/2 PIN	—	2ND. I.F.	2500μV
2	455	12B6G 1/2 PIN	0.05	1ST. I.F.	70
3	1460	12B6G 1/2 PIN	0.05	OSC. AND ANTENNA I.F. TRIMMERS	30
4	1460	ANT.	200 μμfd.	ANTENNA I.F. INTERSTAGE TRIMMER	5
5	600	ANT.	200 μμfd.	CHECK ONLY	5

ALL VOLTAGES ± 10% MEASURED TO B- WITH 20,000 OHM/VOLT METER, 117 VOLT, 60 CYCLE LINE AND ZERO SIGNAL INPUT.  
 PHONO-RADIO SWITCH SHOWN IN PHONO (COUNTERCLOCKWISE) POSITION.

### SPECIFICATIONS

- Standard Broadcast Range ..... 540 Kc — 1700 Kc
- Intermediate Frequency ..... 455Kc.
- Power Consumption (Radio Only) ..... 32 Watts
- Power Consumption (Radio and Phono) ..... 47 Watts
- Undistorted Output ..... 1.5 Watts
- Maximum Power Output ..... 3.5 Watts

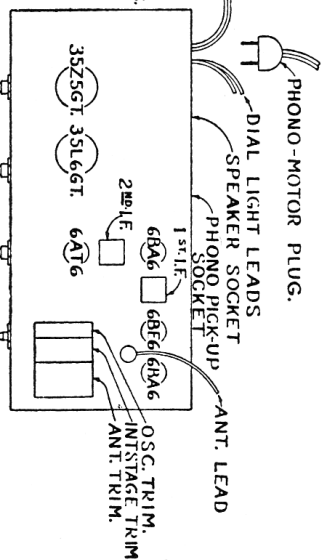
GANG COMPLETELY IN MESH

## Electrohome Manhattan

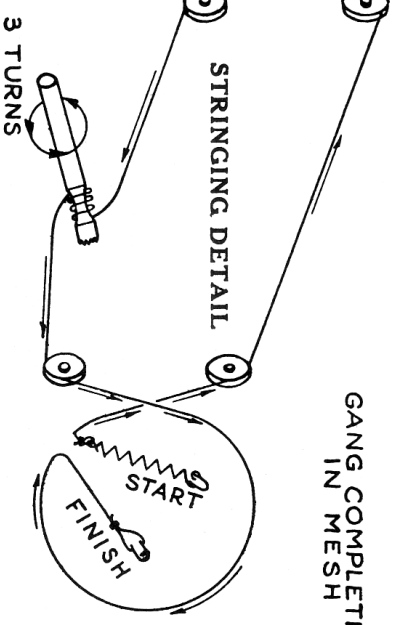
INT. FREQ. 455 KC.

### COMPONENT VALUES

RESISTORS: HALF WATT UNLESS OTHERWISE SPECIFIED.  
 20% TOLERANCE UNLESS OTHERWISE SPECIFIED.  
 K = 1000 OHMS.  
 M = 1,000,000 OHMS.  
 CONDENSERS: T = TUBULAR, FOLLOWED BY CAP. IN MFD. AND D.C. W.V.  
 E = ELECTROLYTIC, FOLLOWED BY CAP. IN MFD. AND D.C. W.V.  
 C = CERAMIC, FOLLOWED BY CAP. IN MMFD. I.F. TRIM. IF CRITICAL.  
 M = MICA, FOLLOWED BY CAP. IN MMFD. AND TOL. IF CRITICAL.



### CHASSIS LAYOUT CHART



J-2915