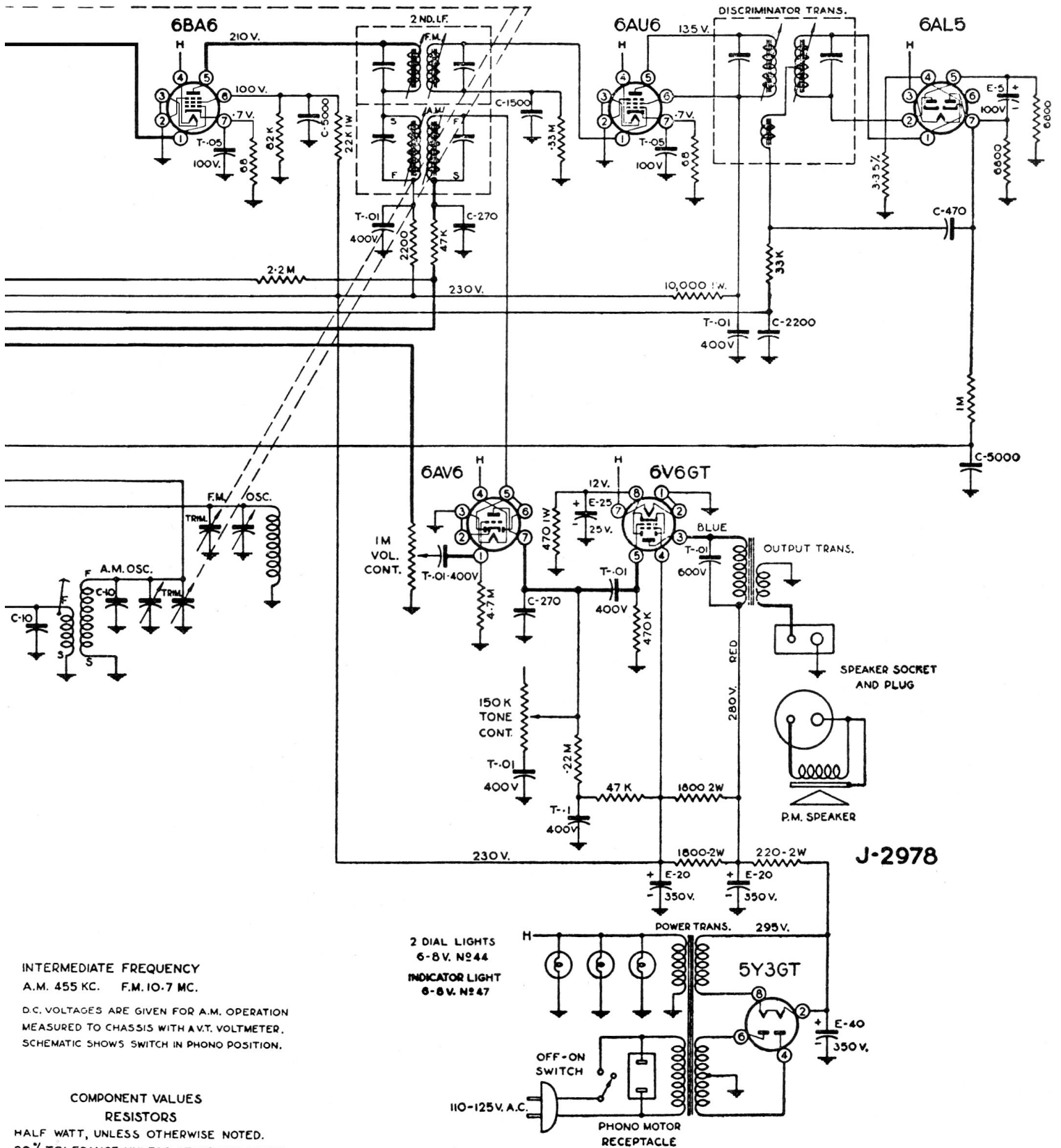


STRINGING DETAIL EMBASSY FM PARAGON FM



INTERMEDIATE FREQUENCY  
A.M. 455 KC. F.M. 10.7 MC.

D.C. VOLTAGES ARE GIVEN FOR A.M. OPERATION  
MEASURED TO CHASSIS WITH A.V.T. VOLTMETER.  
SCHEMATIC SHOWS SWITCH IN PHONO POSITION.

**COMPONENT VALUES**  
**RESISTORS**

HALF WATT, UNLESS OTHERWISE NOTED.  
20% TOLERANCE UNLESS OTHERWISE NOTED.  
K: 1,000 OHMS.  
M: 1,000,000 OHMS.  
W.W.: WIRE WOUND.

**CONDENSERS**

T: TUBULAR, FOLLOWED BY CAP. IN  $\mu$ fd. AND D.C.W.V.  
E: ELECTROLYTIC, FOLLOWED BY CAP. IN  $\mu$ fd. AND D.C.W.V.  
C: CERAMIC, FOLLOWED BY CAP. IN  $\mu$ fd. AND TOL. IF CRITICAL.  
M: MICA, FOLLOWED BY CAP. IN  $\mu$ fd. AND TOL. IF CRITICAL.  
N.T.C.: NEG. TEMP. COEFFICIENT.

**EMBASSY FM PARAGON FM**

C.N. No	DATE	CHANGE	SYM.
4405	8-15-51	ANT TERM STRIP CONNECTIONS CHANGED	$\alpha$

