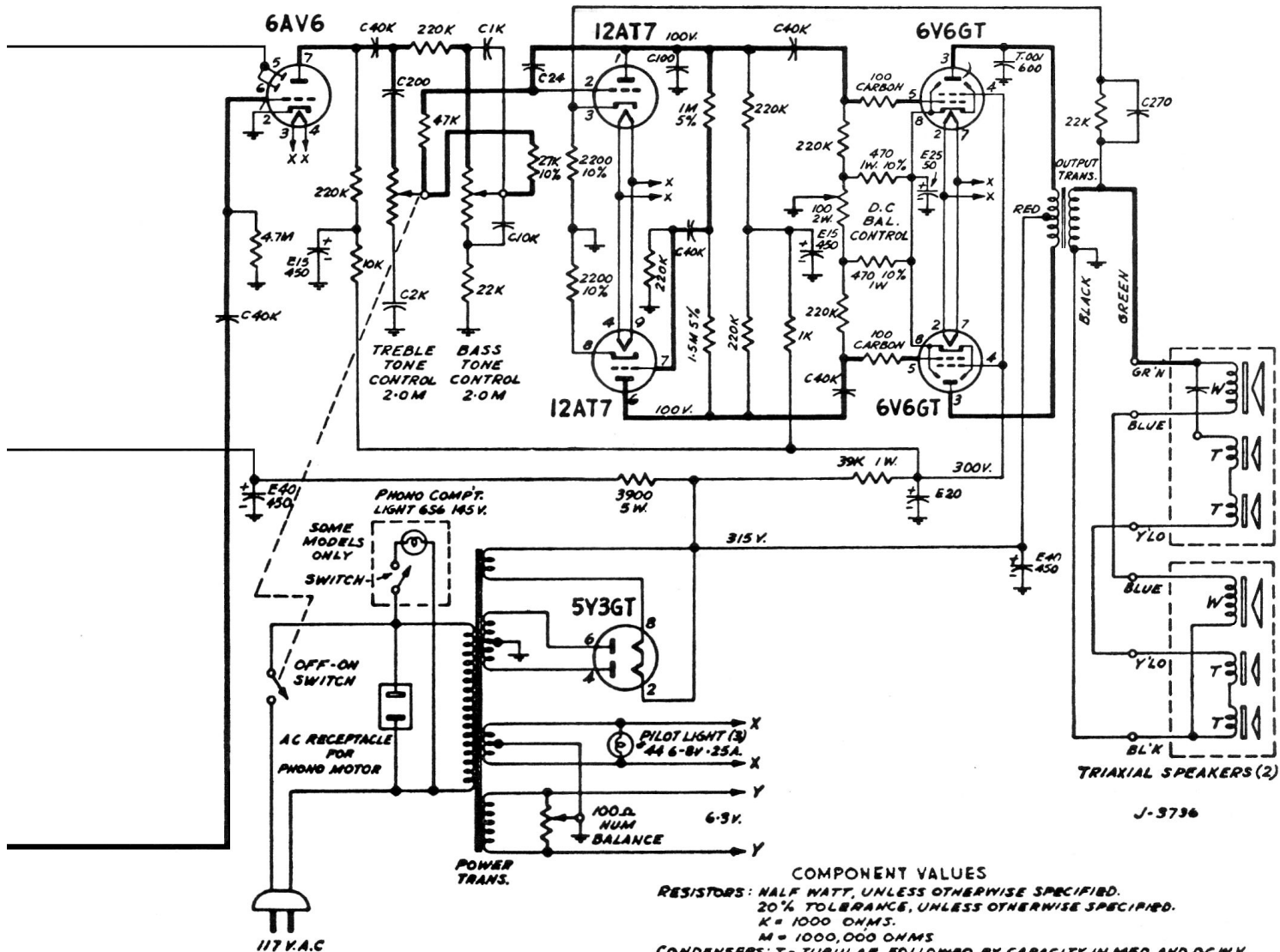


Electrohome Crescendo II

ALIGNMENT AND SENSITIVITY						
SIGNAL GENERATOR MODULATED 30% AT 400 CY.						
STEP	APPLY SIGNAL AT KC	YO	THRU SERIES DUMMY	SET GANG AT	ADJUST FOR MAX. OUTPUT	NOMINAL SENSITIVITY FOR 300 MILLIWATTS OUTPUT
1	455	6BA6 1P No. 1 PIN	.05	—	2ND I.F.	THESE VALUES APPLY WITH TONE CONTROL IN PLAT POSITION. 3600 μV.
2	455	6BE6 No. 7 PIN	.05	MINIMUM CAPACITY	1ST I.F. 2ND I.F.	100 μV.
3	1460	6BA6 No. 1 PIN	.05	1460 KC.	OSC AND INTERSTAGE TRIMMERS.	—
4	1460	ANT.	400 Ω.	1460 KC.	ANTENNA I.F. INTERSTAGE TRIMMERS.	3 μV.
5	600	ANT.	400 Ω.	600 KC.	INTERSTAGE SLUG	12 μV.

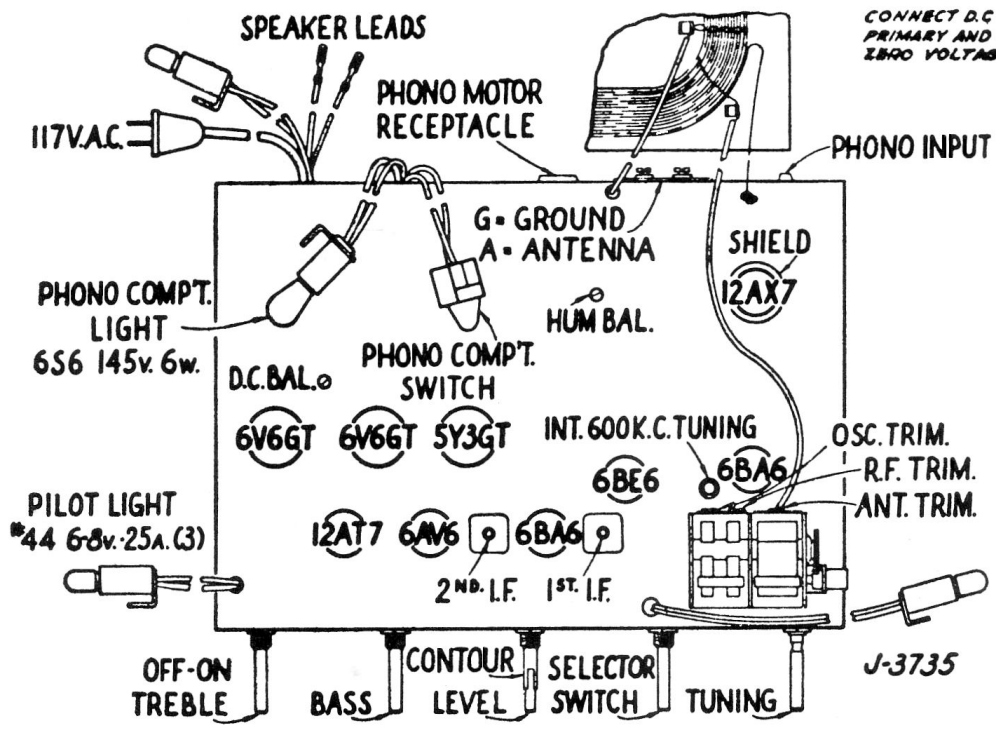
ALL VOLTAGES ± 10% MEASURED TO B - WITH 20,000 OHM/VOLT METER, 117 VOLT 60 CYCLE LINE AND ZERO SIGNAL INPUT.

PHONO RADIO SWITCH SHOWN IN PHONO (COUNTERCLOCKWISE) POSITION.



COMPONENT VALUES
 RESISTORS: HALF WATT, UNLESS OTHERWISE SPECIFIED.
 20% TOLERANCE, UNLESS OTHERWISE SPECIFIED.
 K = 1000 OHMS.
 M = 1000,000 OHMS
 CONDENSERS: T = TUBULAR, FOLLOWED BY CAPACITY IN MFD AND D.C. W.V.
 E = ELECTROLYTIC, FOLLOWED BY CAP. IN MFD AND D.C. W.V.
 C = CERAMIC, FOLLOWED BY CAP. IN MMFD & TOL. IF CRITICAL
 M = MICA, FOLLOWED BY CAP. IN MMFD & TOL. IF CRITICAL.
 TC = TEMPERATURE COMPENSATED.

CONNECT D.C. VOLTMETER ACROSS OUTPUT TRANSFORMER PRIMARY AND ADJUST D.C. BALANCE CONTROL FOR ZERO VOLTAGE.



J-3735