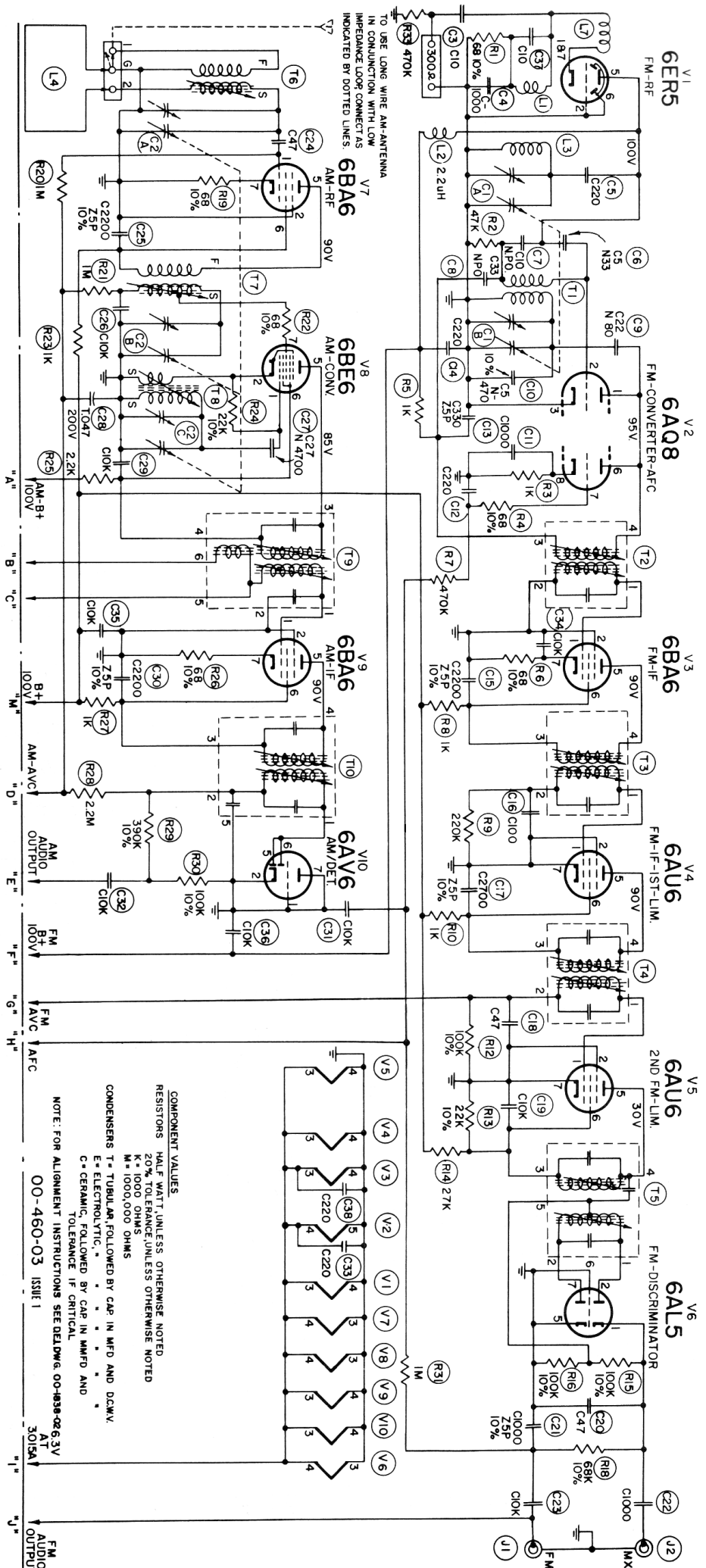
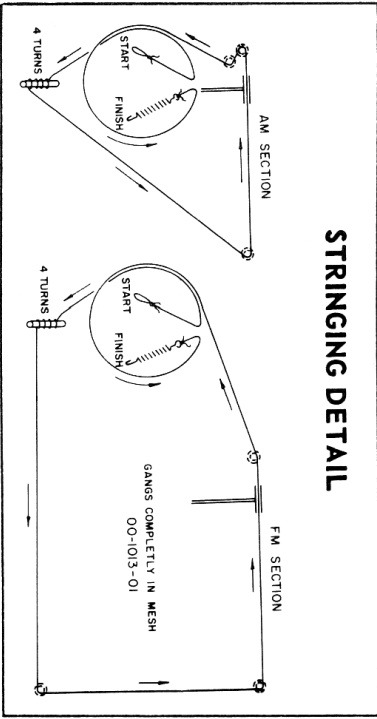


ELECTROHOME CONESTOGA & KALMAR AM-FM DUPLEX TUNER



TO USE LONG WIRE AM-ANTENNA IN CONJUNCTION WITH LOW IMPEDANCE LOOP CONNECT AS INDICATED BY DOTTED LINES.

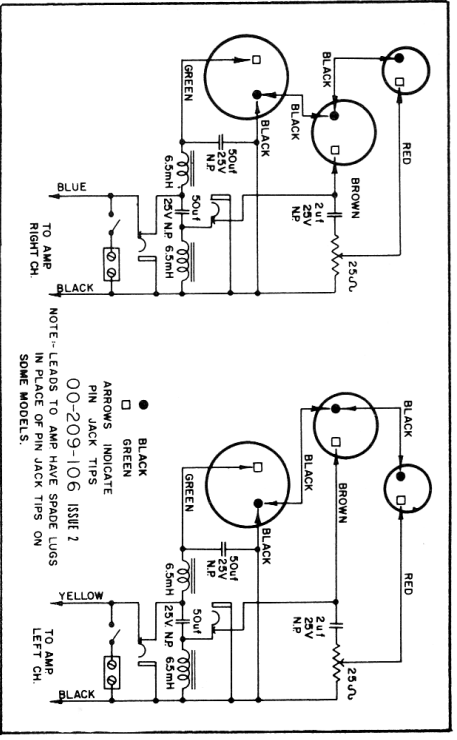
STRINGING DETAIL



STEP NO 3



SPEAKER CONNECTIONS AND CROSSOVER NETWORK



COMPONENT VALUES
 RESISTORS HALF WATT UNLESS OTHERWISE NOTED
 20% TOLERANCE UNLESS OTHERWISE NOTED
 M = 1000,000 OHMS
 CONDENSERS T = TUBULAR FOLLOWED BY CAP IN MFD AND D.C.V.
 E = ELECTROLYTIC
 C = CERAMIC, FOLLOWED BY CAP IN MMFD AND TOLERANCE IF CRITICAL
 NOTE: FOR ALIGNMENT INSTRUCTIONS SEE DELTA 00-460-03 ISSUE 1

ELECTROHOME CONESTOGA & KALMAR AMPLIFIER

