

CHANGE

SCRATCH FILTER ADDED

WAS C10 TO WAS 3.5-12 F15

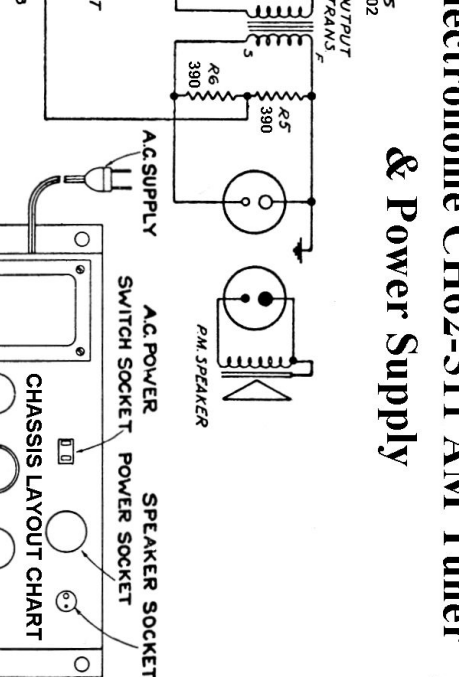
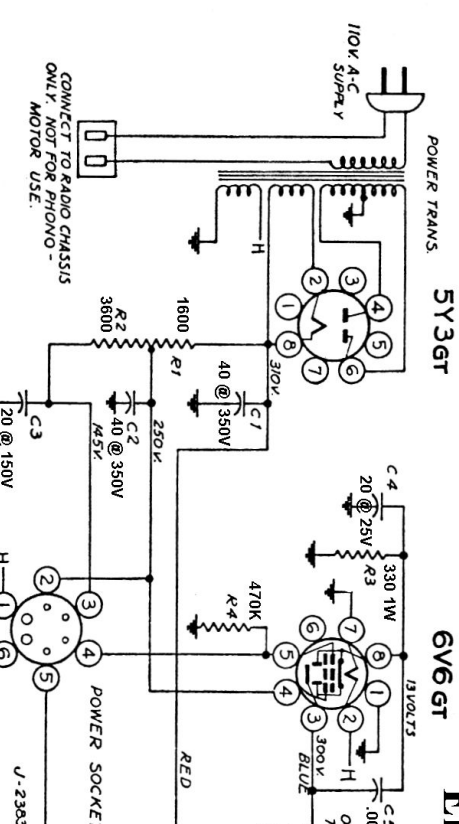
C-10 ADDED

RES ADDED

RES BECOND ADDED

WAS GATE NOTE ADDED

Electrophome CH62-511 AM Tuner & Power Supply



ALIGNMENT AND SENSITIVITY

SIGNAL GENERATOR MODULATED 30% AT 400 CPS.

APPLY SIGNAL TO	THRU SERIES DUMMY AT	SET GANG AT	ADJUST FOR MAX OUTPUT FOR 500 MILLIVOLTS OUTPUT	NOMINAL SENSITIVITY FOR 500 MILLIVOLTS OUTPUT
455	6BE6	.05 μ fd	OPEN	70 μ v
1460	6BE6	.05	B.C. OSC. TRIM.	75
1460	ANT	200 μ fd	1460 KC.	10 Δ
600	ANT	200 μ fd	600 KC.	10 Δ
16 MC.	ANT	400 μ fd	16 MC.	15 Δ
10 MC.	ANT	400 μ fd	10 MC.	20 Δ

