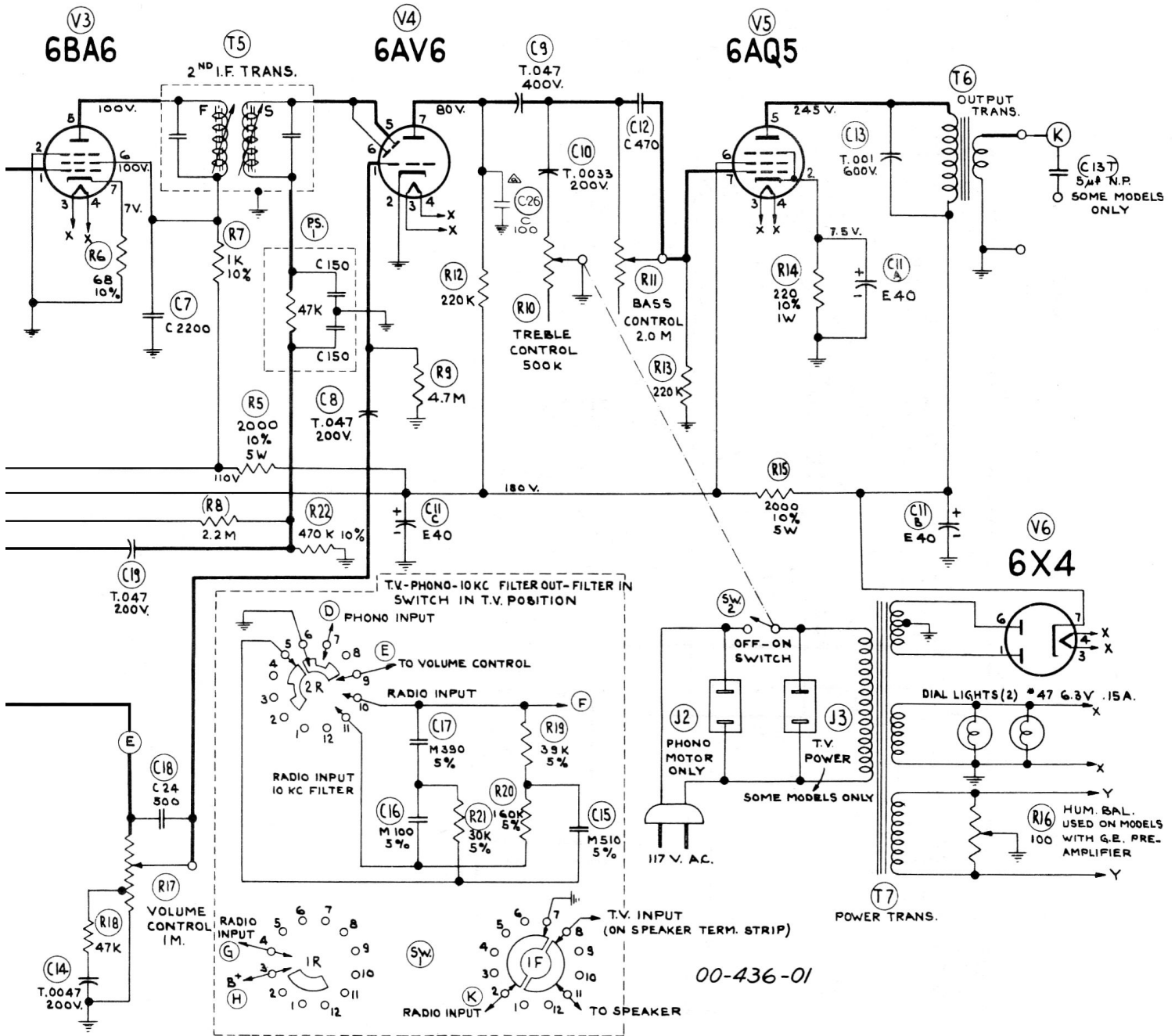


ALIGNMENT AND SENSITIVITY IN SETS WITH R.F. STAGE, SIGNAL GENERATOR MODULATED 30% AT 400 CYCLES							
STEP	APPLY SIGNAL AT KC	TO	THRU SERIES DUMMY	SET GANG AT KC	ADJUST FOR MAX. OUTPUT	NOMINAL SENSITIVITY FOR 500 MILLIWATTS OUTPUT	100 V AT DIAL LOAD VOLUME CONTROL DOWN
1	455	PIN #1 6BA6	.05	MIN. CAP.	SLUGS T5	5000 μ V.	7000 μ V.
2	455	PIN #7 6BE6	.05	MIN. CAP.	SLUGS T4 AND REPEAT STEP 1	180 μ V.	250 μ V.
3	1460	EXT. ANT. CONNECT.	200 μ fd	1460 KC	C1C TRIMMER	—	—
4	600	EXT. ANT. CONNECT.	200 μ fd	600 KC	T3 SLUGS REPEAT STEPS 3 & 4	—	—
5	1460	EXT. ANT. CONNECT.	200 μ fd	1460 KC	C1A AND C1B TRIMMERS	1.8 μ V.	2.5 μ V.
6	600	EXT. ANT. CONNECT.	200 μ fd	600 KC	SLUGS T1 & T2 REPEAT STEPS 5 & 6	1.7 μ V.	2.4 μ V.
7	535 & 1605	EXT. ANT. CONNECT.	200 μ fd	TUNE THRU	CHECK ONLY	—	—



00-436-01

ALIGNMENT AND SENSITIVITY IN SETS WITHOUT R.F. STAGE
SIGNAL GENERATOR MODULATED 30% AT 400 CYCLES

STEP	APPLY SIGNAL		THRU SERIES DUMMY	SET GANG AT	ADJUST FOR MAX. OUTPUT	NOMINAL SENSITIVITY FOR 300 MILLIWATTS OUTPUT	
	AT KC	TO					100 MV. AT DIODE LOAD
1	455	PIN #1 6BA6	.05 μ f	MIN. CAPACITY	SLUGS T5		
2	455	PIN #7 6BE6	.05 μ f	MIN. CAPACITY	SLUGS T4 AND REPEAT SLUGS T5		
3	1460	EXT. ANT CONN.	400 Ω	1460 KC	C18 TRIMMER C1A TRIMMER		
4	600	ELECT ANT CONN.	400 Ω	600 KC	SLUG T1 AND REPEAT STEPS 3 & 4		
5	535 & 1605	EXT. ANT CONN.	400 Ω	TUNE THRU	CHECK ONLY		

COMPONENT VALUES:
RESISTORS : HALF WATT, UNLESS OTHERWISE NOTED.
20% TOLERANCE, UNLESS OTHERWISE NOTED.
K = 1000 OHMS
M = 1,000,000 OHMS.

CONDENSERS : T = TUBULAR, FOLLOWED BY CAP. IN MFD. AND DC. V.V.
E = ELECTROLYTIC, " " " " " " " " " "
C = CERAMIC, FOLLOWED BY CAP. IN MMFD AND TOLERANCE IF CRITICAL
M = MICA, FOLLOWED BY CAP. IN MMFD AND TOLERANCE IF CRITICAL