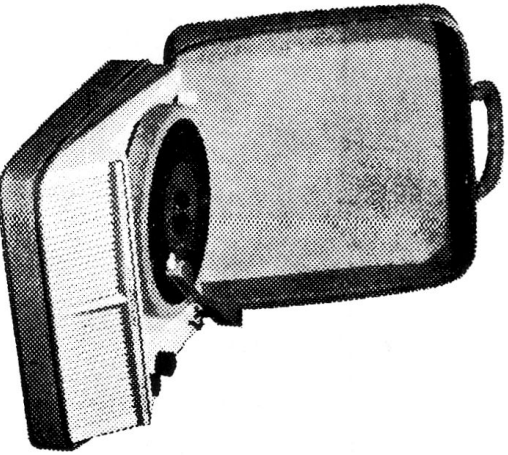


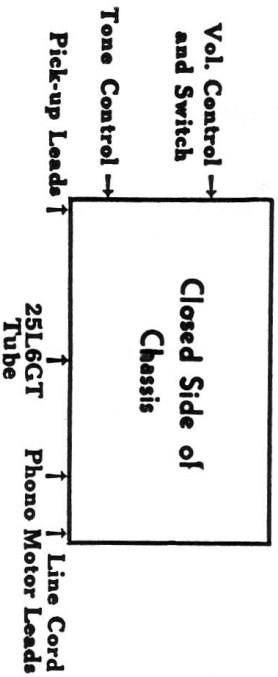
SPECIFICATIONS

Power Output — Undistorted 1.1 Watts
 — Maximum 1.8 Watts
 Power Consumption 37 Watts

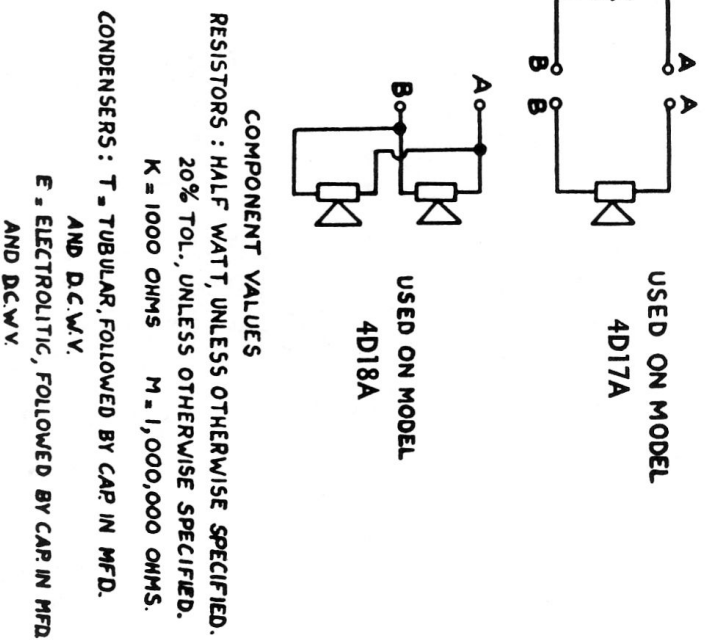


4D18A

Electrohome 4D-17A & 4D-18A



SERVICE REPLACEMENT PARTS LIST



Chassis	Volume Control and Switch
41-14-01	Volume Control
41-15-01	Tone Control
44-6-03	Electrolytic 80 & 30 μ fd x 150 DCWV, 10 μ fd x 25 DCWV.
24-80006-01	Output Transformer 1.6 ohm V.C. (4D18A)
24-80007-05	Output Transformer 3.2 ohm V.C. (4D17A)
34-27-01	Line Cord and Plug Assembly
28-1-01	Selenium Rectifier 65 ma.

Final Assembly

12-14551-01	Case—Brick Red and Antique White (4D17A)
12-14561-01	Case—Grey (4D18A)
12-14561-02	Case—Tan (4D18A)
13-13-01	Plastic Motor Board—Rust (4D17A)
13-13-02	Plastic Motor Board—Ivory (4D18A)
16-120001-02	Pickup Arm Assembly
16-210001-01	Phono Motor 60 cycle
16-120008-01	Turn Table
16-120009-01	Turntable (4D17A)
16-120010-01	Turntable (4D18A)
19-40003-01	4" P.M. Speaker or 1 on 4D17A, 2 on 4D18A
19-40004-01	Trim Strip (Identification) (4D18A)
53-35-01	Trim Strip (Identification) (4D18A)
53-36-01	Trim Strip (4D18A)
53-37-01	Knob
	Astatic 310TS Crystal Cartridge

Replacement Stylus for Cartridge

LP (1 Mil)	Astatic N8-1J
78 (3 Mil)	Astatic N8-3J