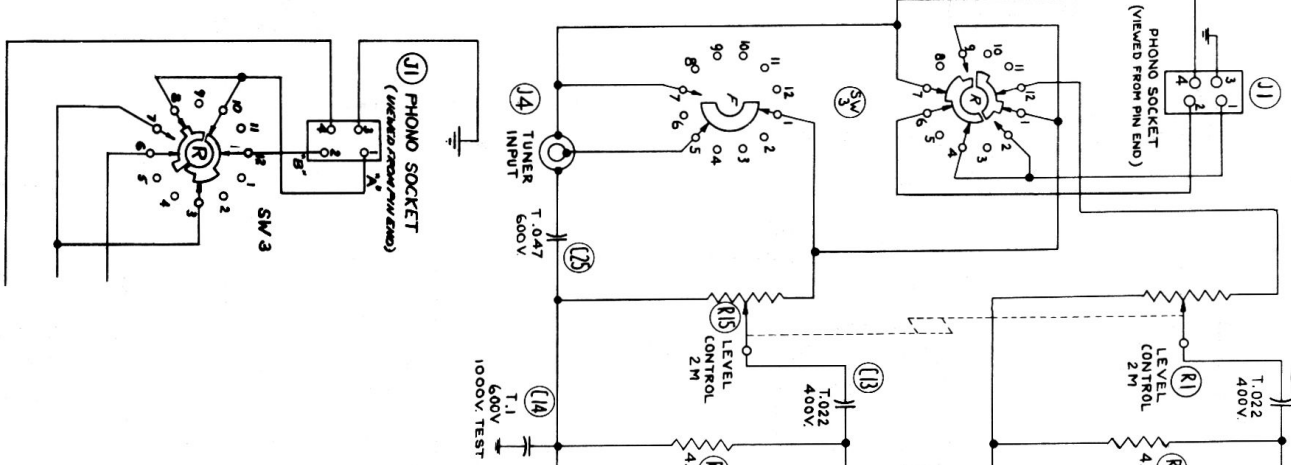
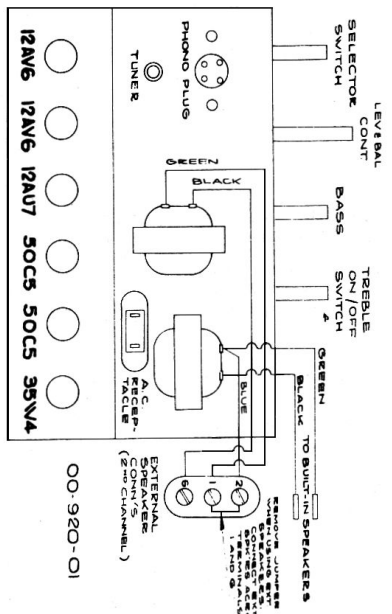
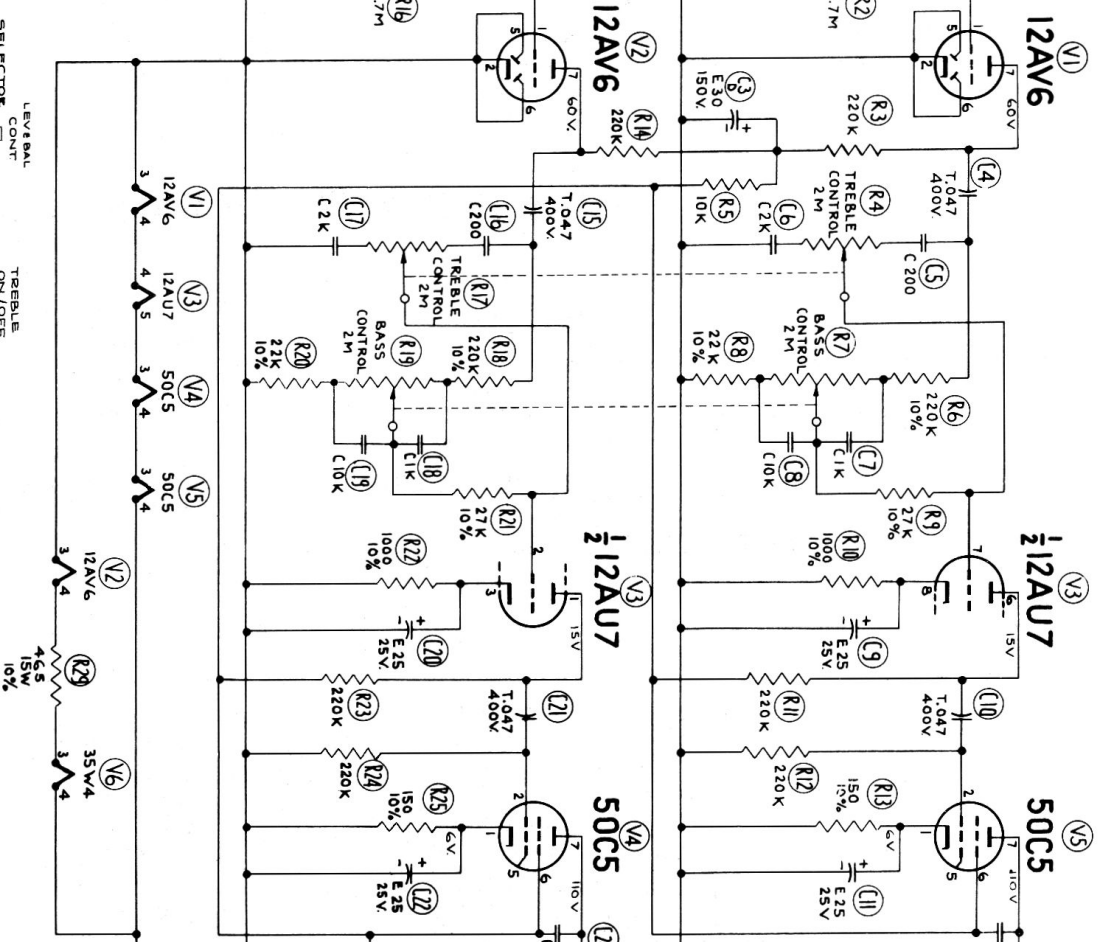


SWITCH SHOWN IN EXTREME C-CLOCKWISE POSITION

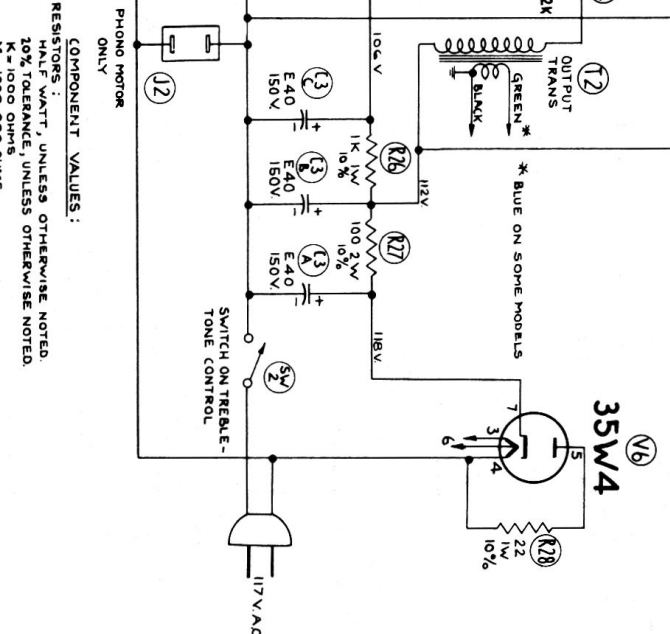
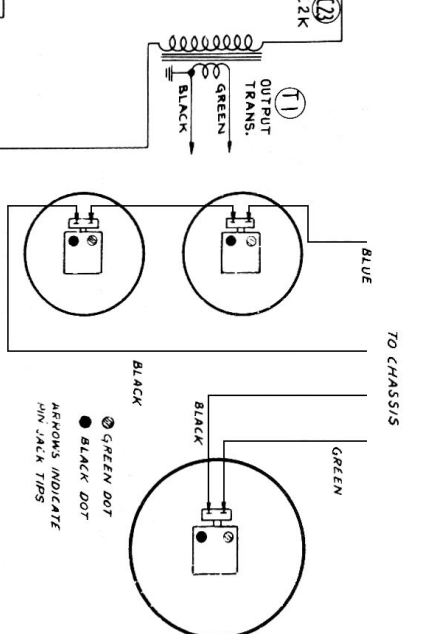
- POSITION #1 - TUNER
- #2 - MONO/BLK
- #3 - STEREO
- #4 - REVERSE



SWITCH SHOWN IN EXTREME C-CLOCKWISE POSITION:
 POSITION #1 - TUNER
 #2 - MONO/BLK
 #3 - STEREO
 #4 - REVERSE

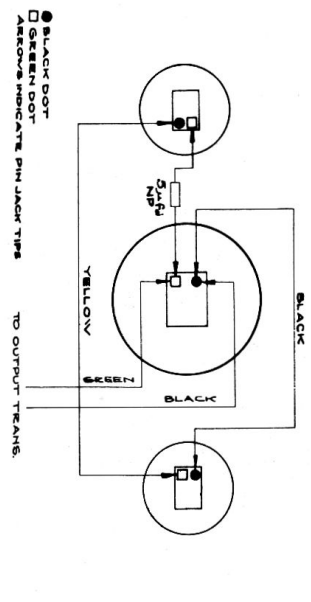


Electrohome 4B-35S-1 & 4B-35S-2



COMPONENT VALUES:
 RESISTORS: HALF WATT, UNLESS OTHERWISE NOTED.
 10% TOLERANCE, UNLESS OTHERWISE NOTED.
 K = 1000 OHMS
 M = 1000,000 OHMS

CONDENSERS:
 T = TUBULAR FOLLOWED BY CAPACITY IN MFD (DCV).
 E = ELECTROLYTIC, " " IN MFD (DCV).
 C = CERAMIC, " " IN MFD (D.C.V.).
 ALL VOLTAGES MEASURED TO CHASSIS WITH 20,000 OHM/VOLT METER AT 117 LINE VOLTAGE.



● BLACK DOT
 ○ GREEN DOT
 ARROWS INDICATE PIN JACK TIPS

TO CHASSIS