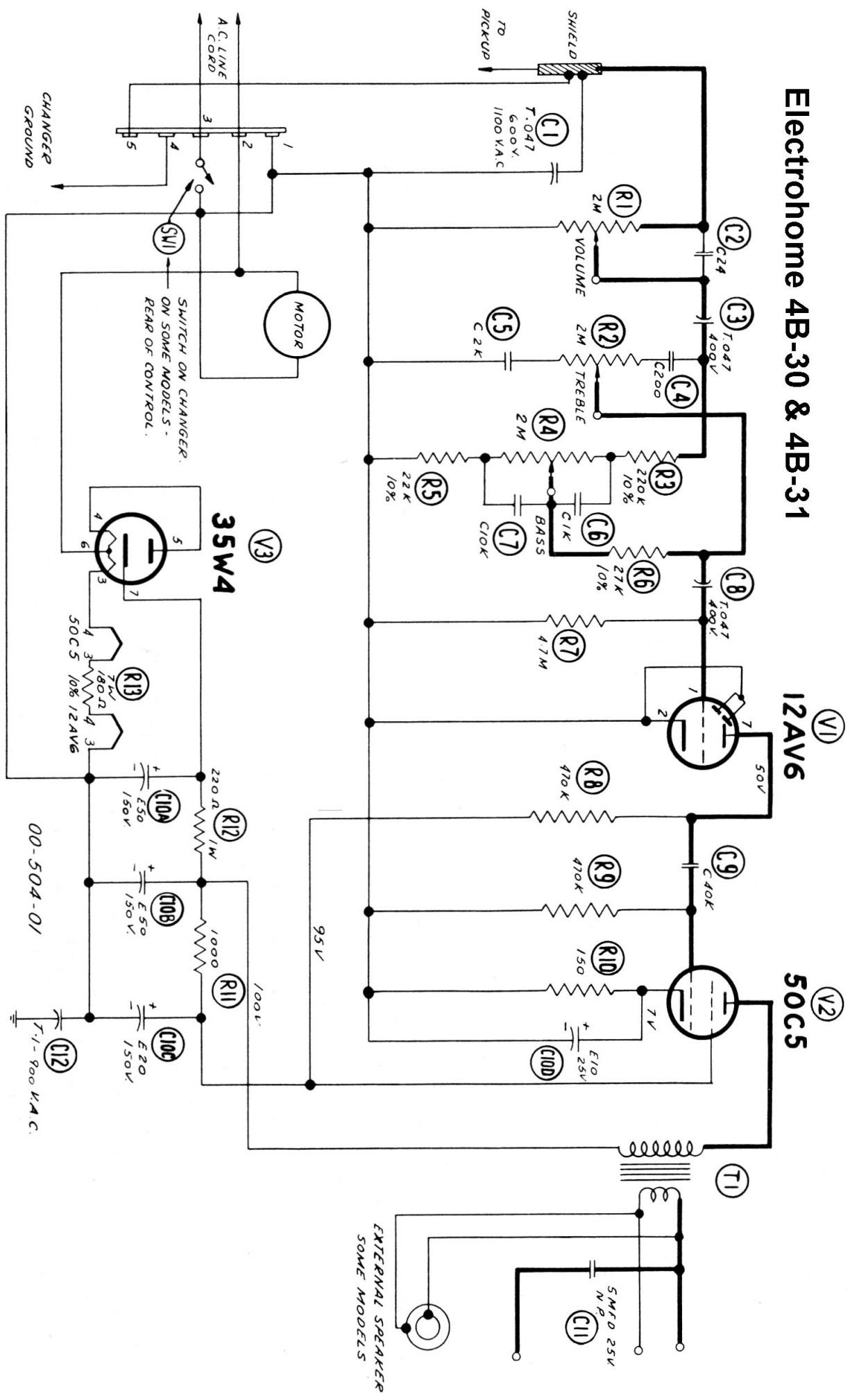


Electrohome 4B-30 & 4B-31

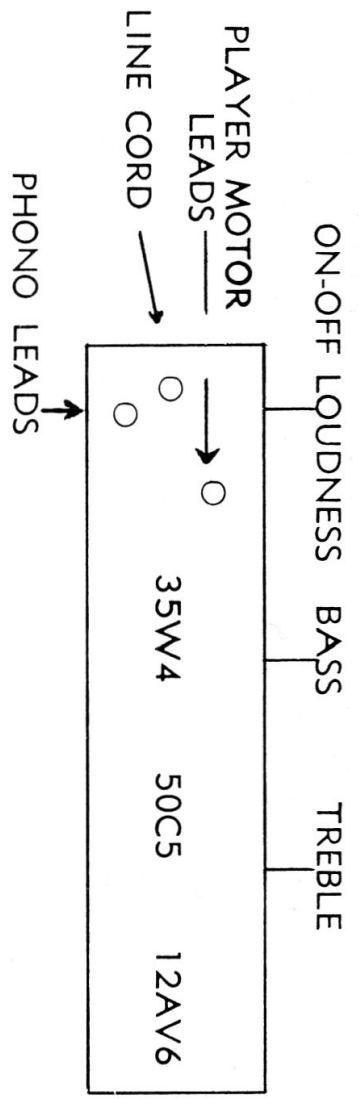


COMPONENT VALUES:

RESISTORS: HALF WATT, UNLESS OTHERWISE NOTED.
 20% TOLERANCE, UNLESS OTHERWISE NOTED.
 K = 1000 OHMS
 M = 1,000,000 OHMS

CONDENSERS: T = TUBULAR, FOLLOWED BY CAP IN MFD AND D.C.V
 E = ELECTROLYTIC, FOLLOWED BY CAP IN MFD & D.C.V
 C = CERAMIC, FOLLOWED BY CAP. IN MMFD & TOL IF CRITICAL

ALL VOLTAGES MEASURED TO B - WITH 20,000 OHM/VOLT METER,
 117 VOLTS, 60 CYCLE LINE AND ZERO SIGNAL INPUT.



SWITCH ON CHANGER.
 ON SOME MODELS -
 REAR OF CONTROL.

50C5 10% 12AV6

EXTERNAL SPEAKER
 SOME MODELS