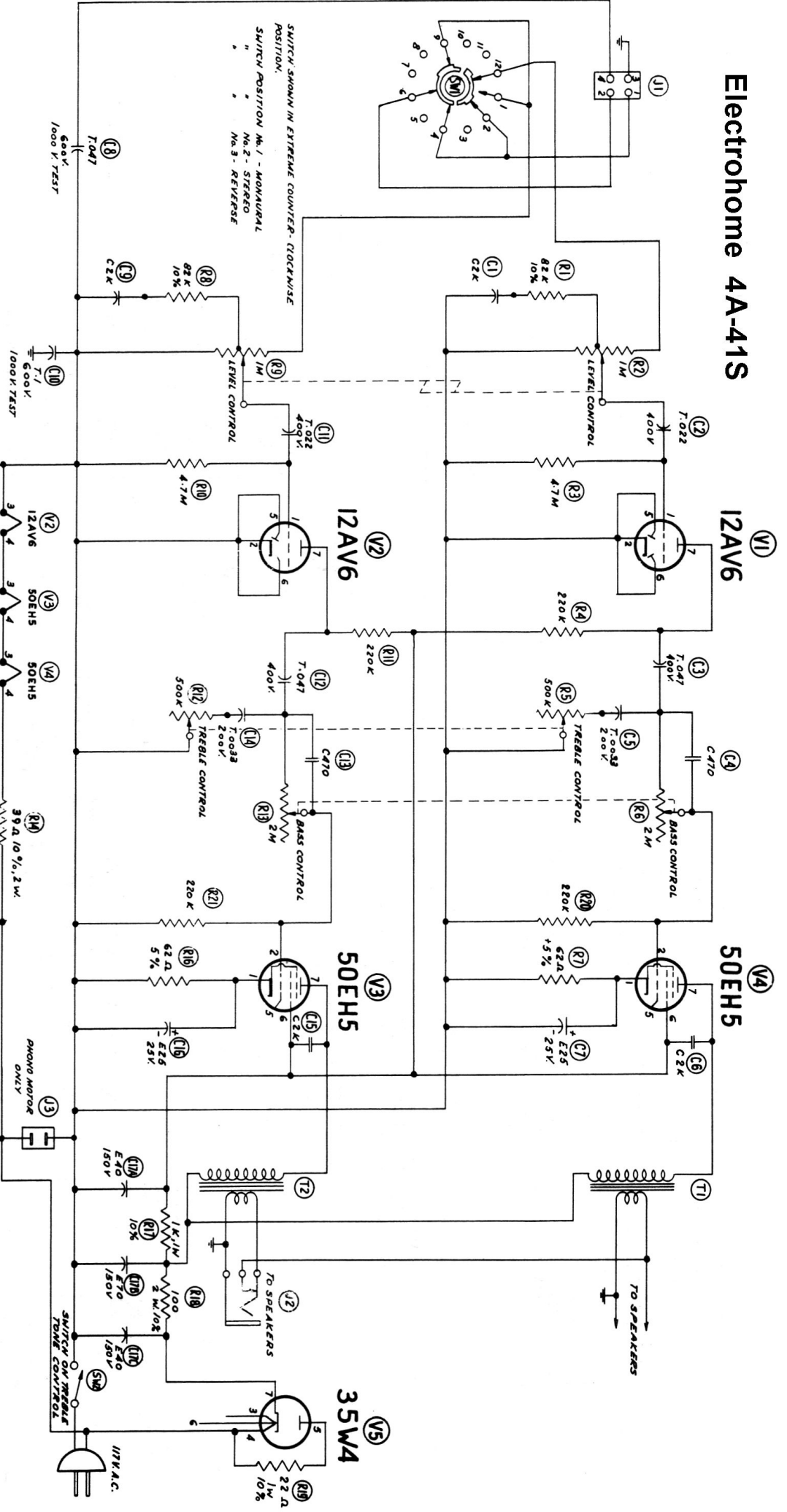


# Electrohome 4A-41S



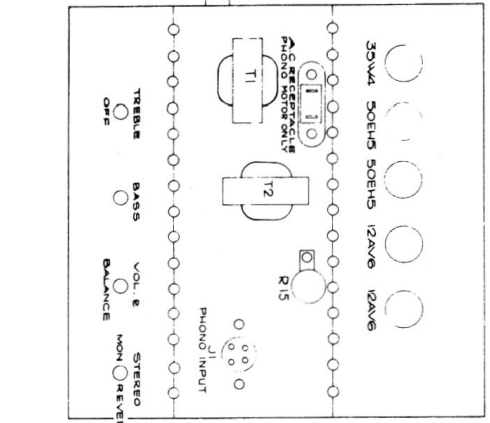
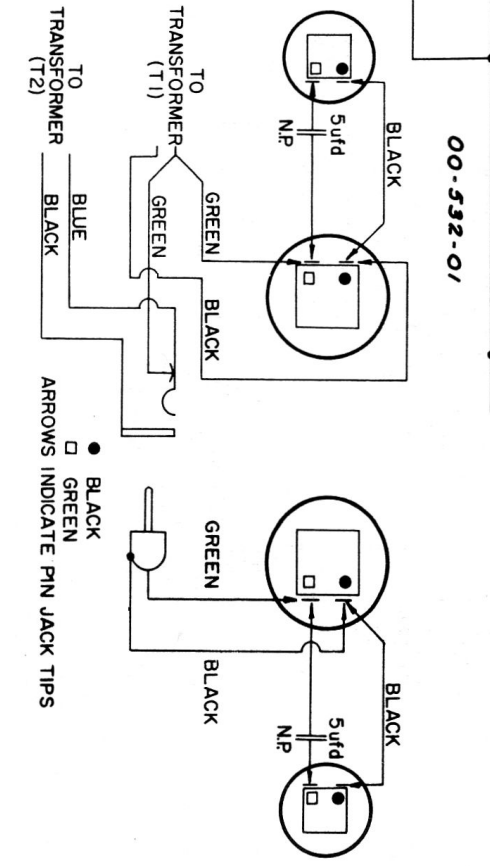
SWITCH SHOWN IN EXTREME COUNTER-CLOCKWISE POSITION.  
 SWITCH POSITION NO. 1 - MONAURAL  
 " " " " NO. 2 - STEREO  
 " " " " NO. 3 - REVERSE

### COMPONENT VALUES:

RESISTORS: HALF WATT, UNLESS OTHERWISE NOTED.  
 20% TOLERANCE, UNLESS OTHERWISE NOTED.  
 R = 1000  
 M = 1,000,000

CONDENSERS: T = TUBULAR, FOLLOWED BY CAP. IN MFD. AND D.C.M.V.  
 E = ELECTROLYTIC, FOLLOWED BY CAP. IN MFD. AND D.C.M.V.  
 C = CERAMIC, FOLLOWED BY CAP. IN MMFD. AND TOL. IF CRITICAL.  
 M = MIC, FOLLOWED BY CAP. IN MMFD. AND TOL. IF CRITICAL.

CN. NO.	DATE	CHANGE	CHK.
58-1111	12/1/58	NOTE RE SWITCH POSITIONS ADDED	K.



000-928-01

00-532-01

117V A.C.