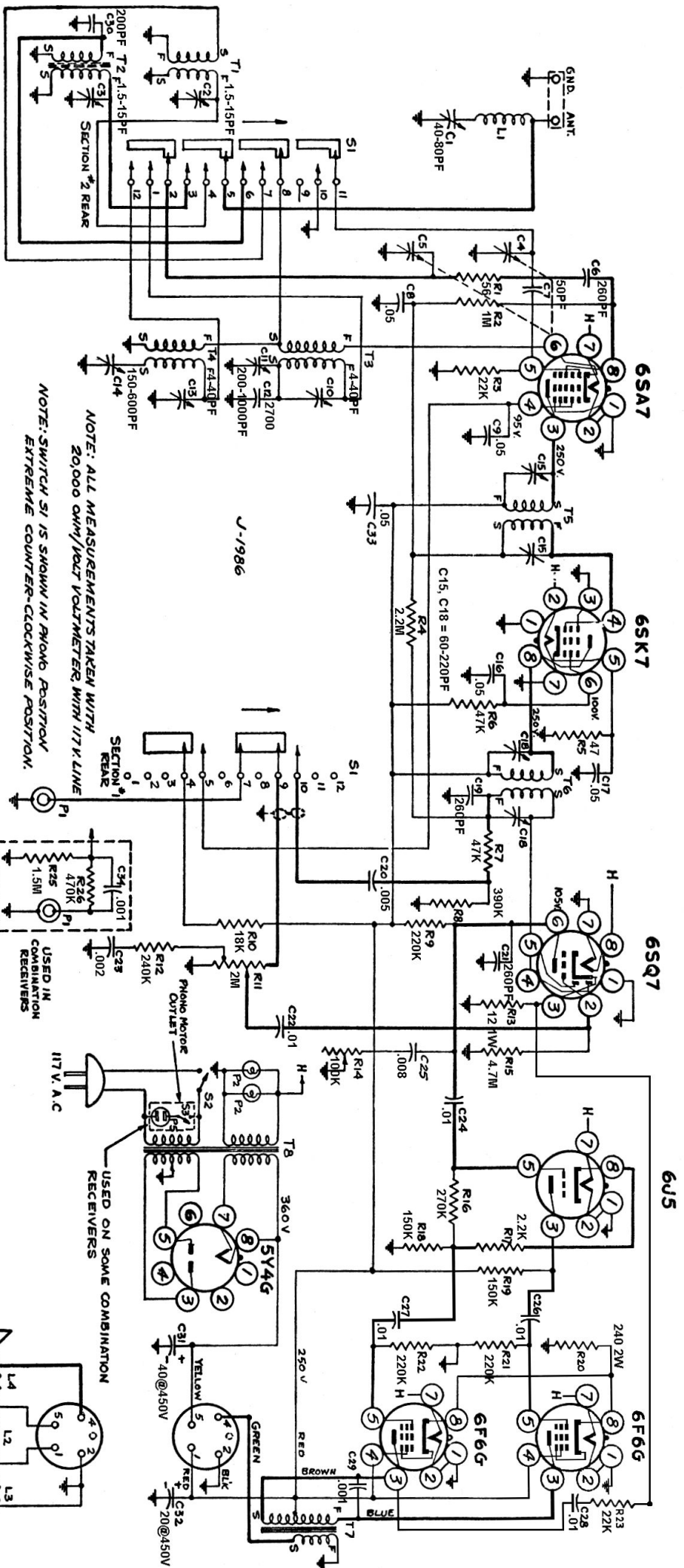


Electrohome 308

(Chassis PCC 72-417, PCC 72-417Z)



NOTE: ALL MEASUREMENTS TAKEN WITH 20,000 OHM/VOLT VOLTMETER WITH 117V LINE

NOTE: SWITCH S1 IS SHOWN IN PHONE POSITION EXTREME COUNTER-CLOCKWISE POSITION.

SENSITIVITIES

Sensitivity in microvolts for 500 milliwatts output (voice coil impedance 3.2 ohms) carrier modulated 30% at 400 cycles.

455 K.C.	1460 K.C.	900 K.C.	600 K.C.	16 M.C.	10 M.C.	6 M.C.
1st I.F. Grid	4400	—	—	—	—	—
Converter Grid..	80	82	82	84	86	86
Antenna.....	—	18	15	12	40	70

PIN VIEW OF PLUG-

