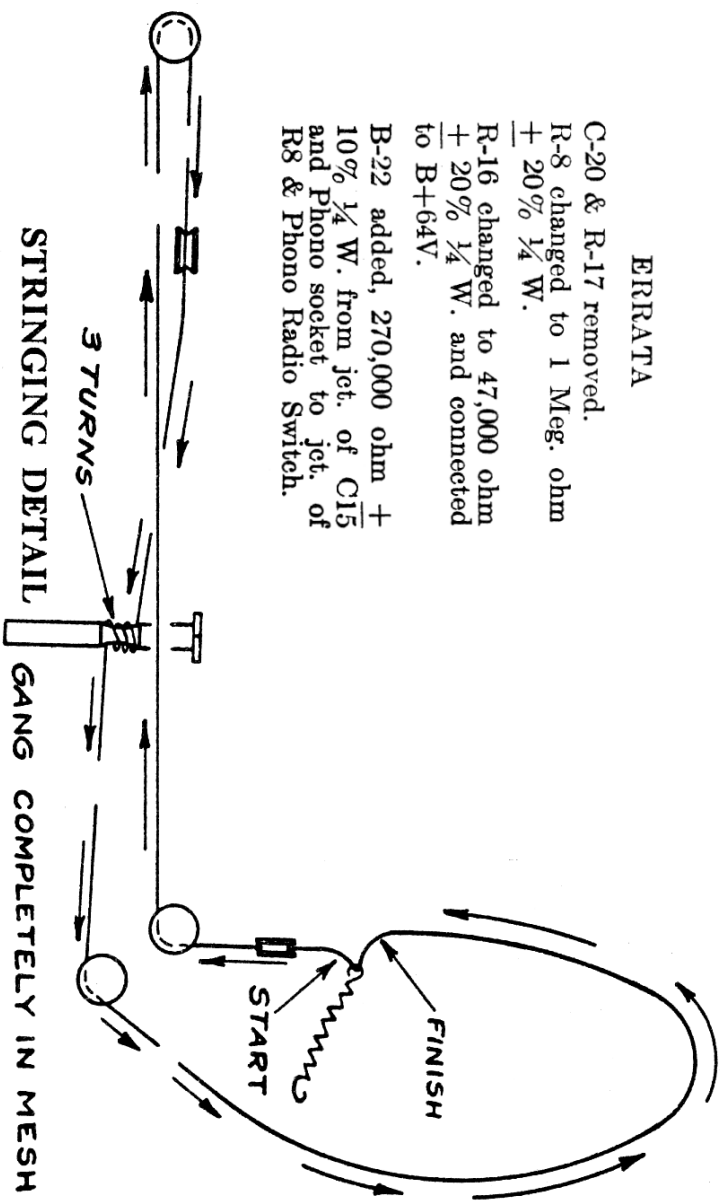


Electrohome 300A

(Chassis PYUR61-417, 427, 437 & Chassis PYUR61-417Z, 427Z, 437Z)

ERRATA

- C-20 & R-17 removed.
- R-8 changed to 1 Meg. ohm + 20% 1/4 W.
- R-16 changed to 47,000 ohm + 20% 1/4 W. and connected to B+64V.
- B-22 added, 270,000 ohm + 10% 1/4 W. from jct. of C15 and Phono socket to jct. of R8 & Phono Radio Switch.



Electrohome 300A

(Chassis PYUR61-417, 427, 437 & Chassis PYUR61-417Z, 427Z, 437Z)

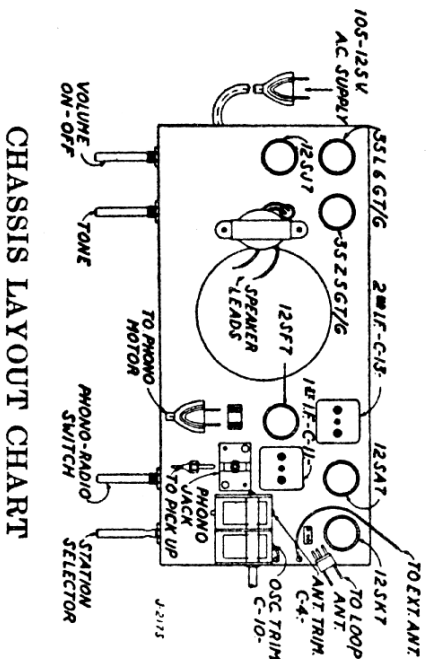
R. F. measurement taken with signal fed through 200 ohm at 40" distance from receiver loop.

STAGE GAIN

Sensitivity in microvolts for 50 milli-watts output (voice coil impedance 3.2 ohms) carrier modulated 30% at 400 cycles.	1st I.F. grid.....	5000	—	—
	Converter grid...	220	260	260
	Antenna.....	—	34	56

455 K.C. 600 K.C. 1460 K.C.

Band	Band Switch Setting	Dummy Antenna	Connect Generator To	Radio Dial Setting	Generator Frequency	Trimmer Adjusted	Adjustment
2nd I.F.	B.C.	.1 Mfd.	Grid of 18SF7 I.F. Tube	1650 K.C.	455 K.C.	2nd I.F. C-15	Maximum Output
1st I.F.	B.C.	.1 Mfd.	Grid of 18SA7 Converter	1650 K.C.	455 K.C.	1st I.F. C-11	Maximum Output
1460 K.C.	B.C.	400 ohm.	Ant.	1460 K.C.	1460 K.C.	B.C. Osc. C-10 B.C. Ant. C-4	Maximum Output
600 K.C.	B.C.	400 ohm.	Ant.	600 K.C.	600 K.C.		



CHASSIS LAYOUT CHART