

Sensitivity in microvolts for 500 milliwatts output (voice coil impedance 3.2 ohms) carrier modulated 30% at 400 cycles.

**SENSITIVITIES**

1st I.F. Grid .....	4400	—	—	—	—	—	—	—
Converter Grid .....	80	82	82	84	86	86	86	86
Antenna .....	—	18	15	12	40	50	70	—

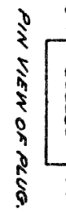
INT. FREQ. 455 KC.

**Electrophome 218A**  
 (Chassis PCC-72-427, 437  
 PCC-72-427Z, 437Z)

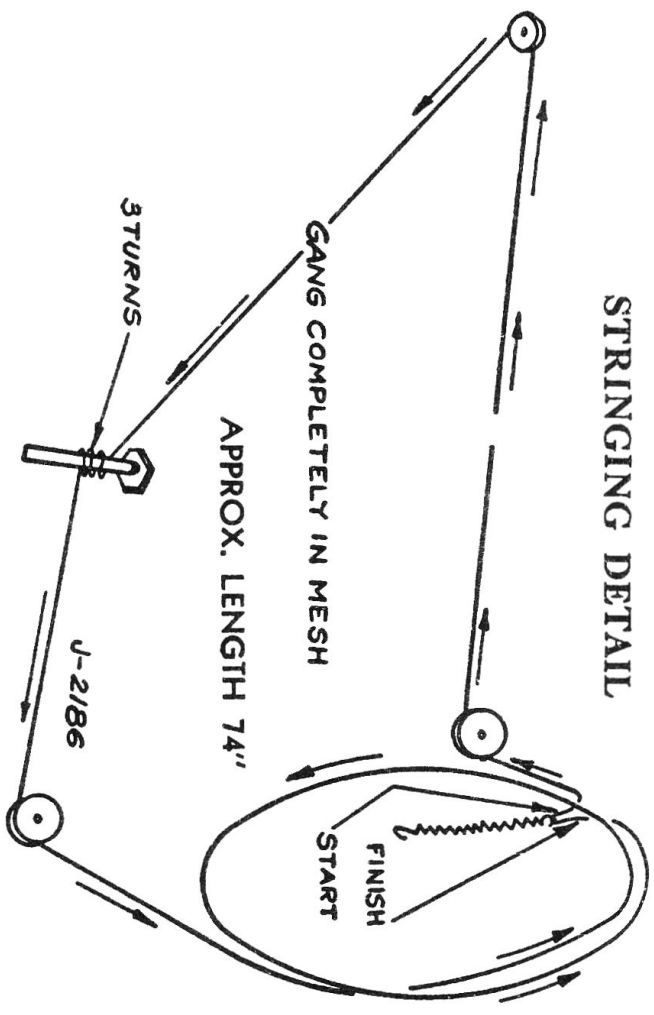
NOTE: ALL MEASUREMENTS TAKEN WITH 20,000 OHM/VOLT VOLTMETER WITH 117 V. LINE.  
 NOTE: SWITCH S1 IS SHOWN IN PHONO POSITION. EXTREME COUNTER-CLOCKWISE POSITION.

USED IN COMBINATION RECEIVERS

USED ON SOME COMBINATION RECEIVERS.

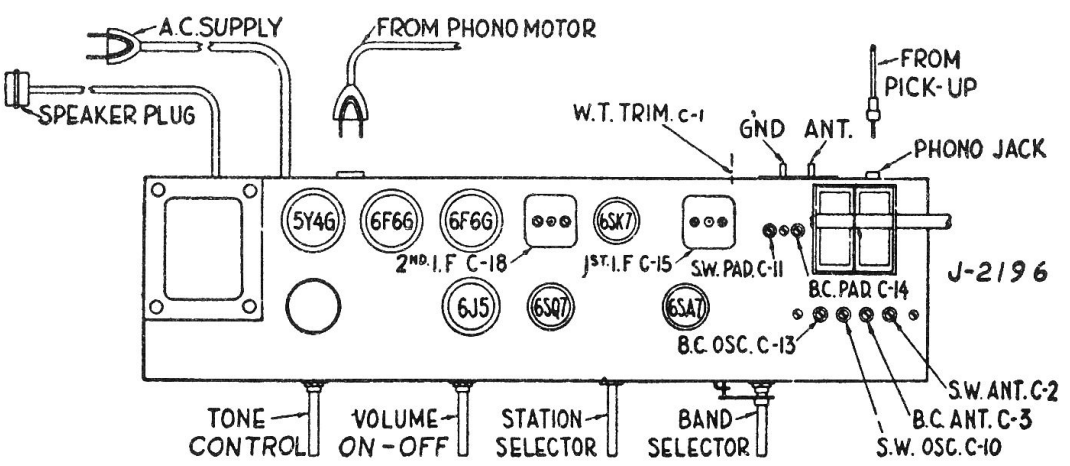


# STRINGING DETAIL



## Electrohome 218A (Chassis PCC-72-427, 437 PCC-72-427z, 437z)

### CHASSIS LAYOUT CHART



### ALIGNMENT - PROCEED IN SEQUENCE LISTED

Band	Band Switch Setting	Dummy Antenna	Connect Generator To	Radio Dial Setting	Generator Frequency	Trimmer Adjusted	Adjustment
2nd I.F.	B.C.		Grid of 6SK7	1650 K.C.	455 K.C.	C-18	Maximum Output
1st I.F.	B.C.		Grid of 6SA7	1650 K.C.	455 K.C.	C-15	Maximum Output
1400 K.C.	B.C.	200 mmfd.	Antenna	1400 K.C.	1400 K.C.	C-18 G-3	Maximum Output
600 K.C.	B.C.	200 mmfd.	Antenna	600 K.C.	600 K.C.	G-14	Maximum Output
455 K.C.	B.C.	200 mmfd.	Antenna	1650 K.C.	455 K.C.	G-1	Minimum Output
15 M.C.	S.W.	400 ohm	Antenna	15 M.C.	15 M.C.	C-10 C-3	Maximum Output
6 M.C.	S.W.	400 ohm	Antenna	6 M.C.	6 M.C.	C-11	Maximum Output