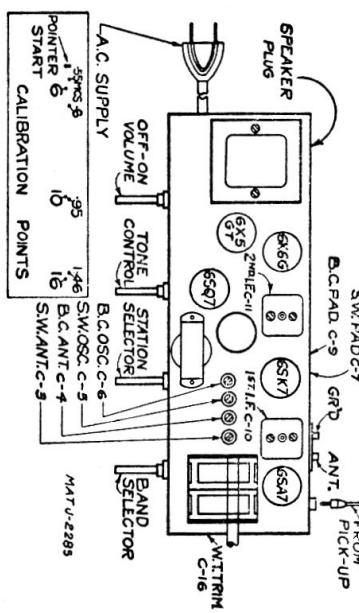
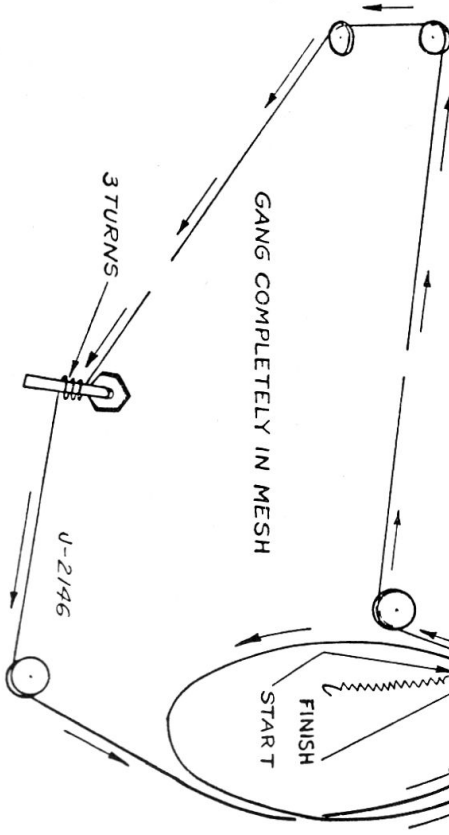


CHASSIS LAYOUT CHART



STRINGING DETAIL



NOMINAL SENSITIVITY IN MICROVOLTS
FOR 500 MILLIWATTS OUTPUT
CARRIER MODULATED 30% AT 400 C.P.S.

SIGNAL APPLIED AT	SERIES DUMMY	FREQ.	455 KC	1000 KC	10 MC
ANTENNA	200 μA	10,000 μV	25		
6SA7 MIXER GRID	.05 μA	130 μV	150		180
6SK7 I.F. GRID	.05 μA	5500 μV			
ANTENNA	400 A				60

All voltages measured to chassis with 20,000 ohm per volt meter

Band Selector switch shown in Phono position (extreme counter clockwise.) Numeral indicates wafer back from front chassis skirt and letter designates front or rear of indicated wafer

Electrohome 216B