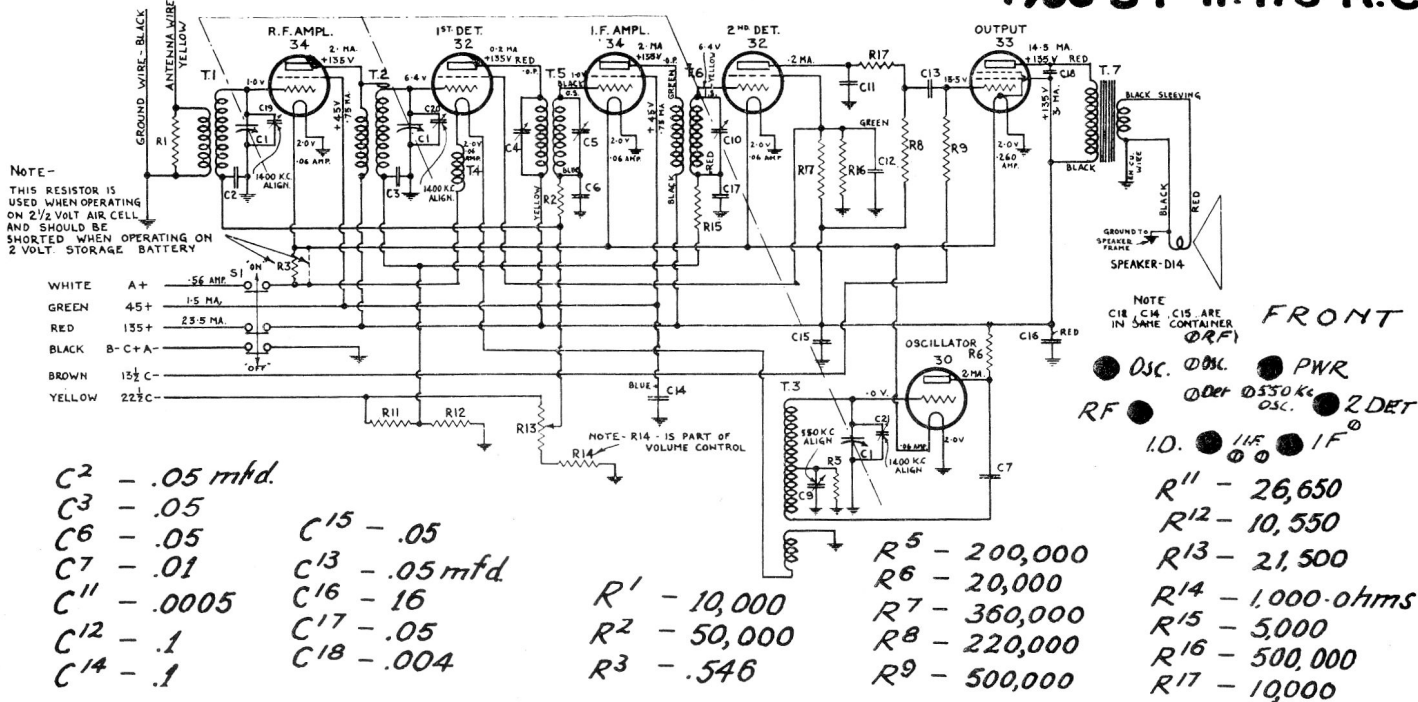


THE "NEW OVERTURE" AND "NEW HARMONY" MODELS — TYPE 503 CHASSIS 1933-34 IF 175 K.C.



THE "NEW SYMPHONY" MODEL — TYPE 505 CHASSIS 1933-34 IF 456 KC.

