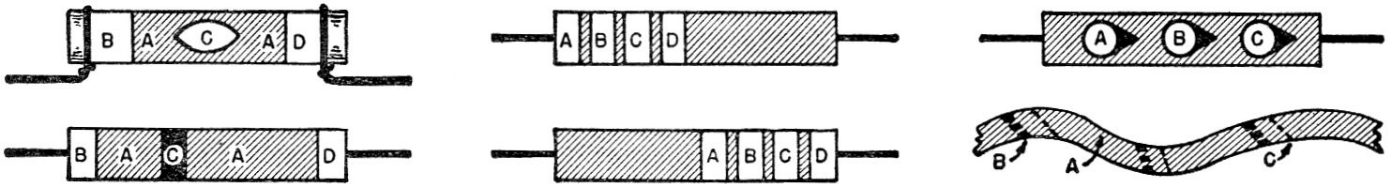


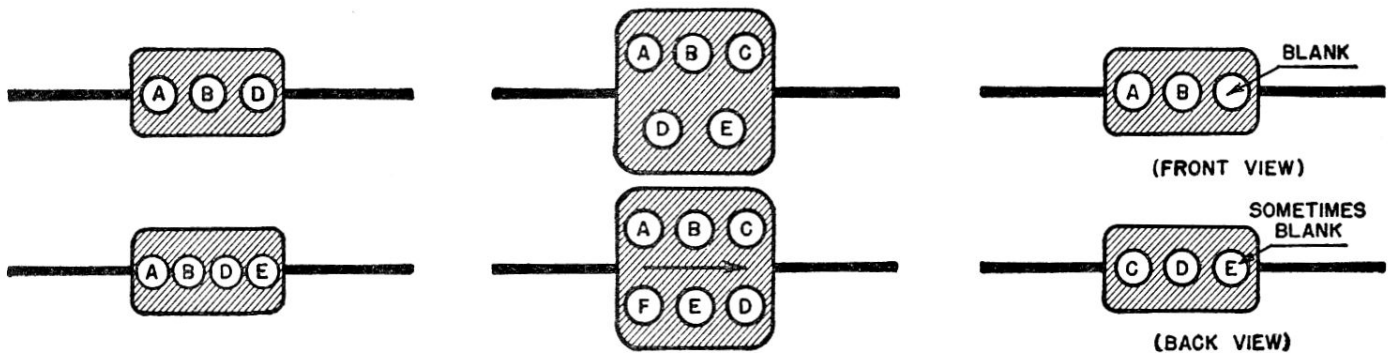
Resistor Color Codes



Values in Ohms

Color A	1st Significant Figure	Color B	2nd Significant Figure	Color C	Decimal Multiplier	Color D	Resistive Tolerance
Black	0	Black	0	Black	—	None	± 20%
Brown	1	Brown	1	Brown	10	Silver	± 10%
Red	2	Red	2	Red	100	Gold	± 5%
Orange	3	Orange	3	Orange	1,000		
Yellow	4	Yellow	4	Yellow	10,000		
Green	5	Green	5	Green	100,000		
Blue	6	Blue	6	Blue	1,000,000		
Violet	7	Violet	7	Violet	10,000,000		
Grey	8	Grey	8	Grey	—		
White	9	White	9	White	—		

Mica Capacitor Color Codes



Capacitance in micromicrofarads ($\mu\mu\text{f.}$)

Dot Color	Significant Figures			Decimal Multiplier	Capacitive Tolerance	DC Test Voltage	Dot Color
	(A)	(B)	(C)				
Black	0	0	0	—	—	—	Black
Brown	1	1	1	10	± 1%	100	Brown
Red	2	2	2	100	± 2%	200	Red
Orange	3	3	3	1,000	± 3%	300	Orange
Yellow	4	4	4	10,000	± 4%	400	Yellow
Green	5	5	5	100,000	± 5%	500	Green
Blue	6	6	6	1,000,000	± 6%	600	Blue
Violet	7	7	7	10,000,000	± 7%	700	Violet
Gray	8	8	8	100,000,000	± 8%	800	Grey
White	9	9	9	1,000,000,000	± 9%	900	White
Gold	—	—	—	0.1	± 5%	1,000	Gold
Silver	—	—	—	0.01	± 10%	2,000	Silver
No Color	—	—	—	—	± 20%	500	No Color