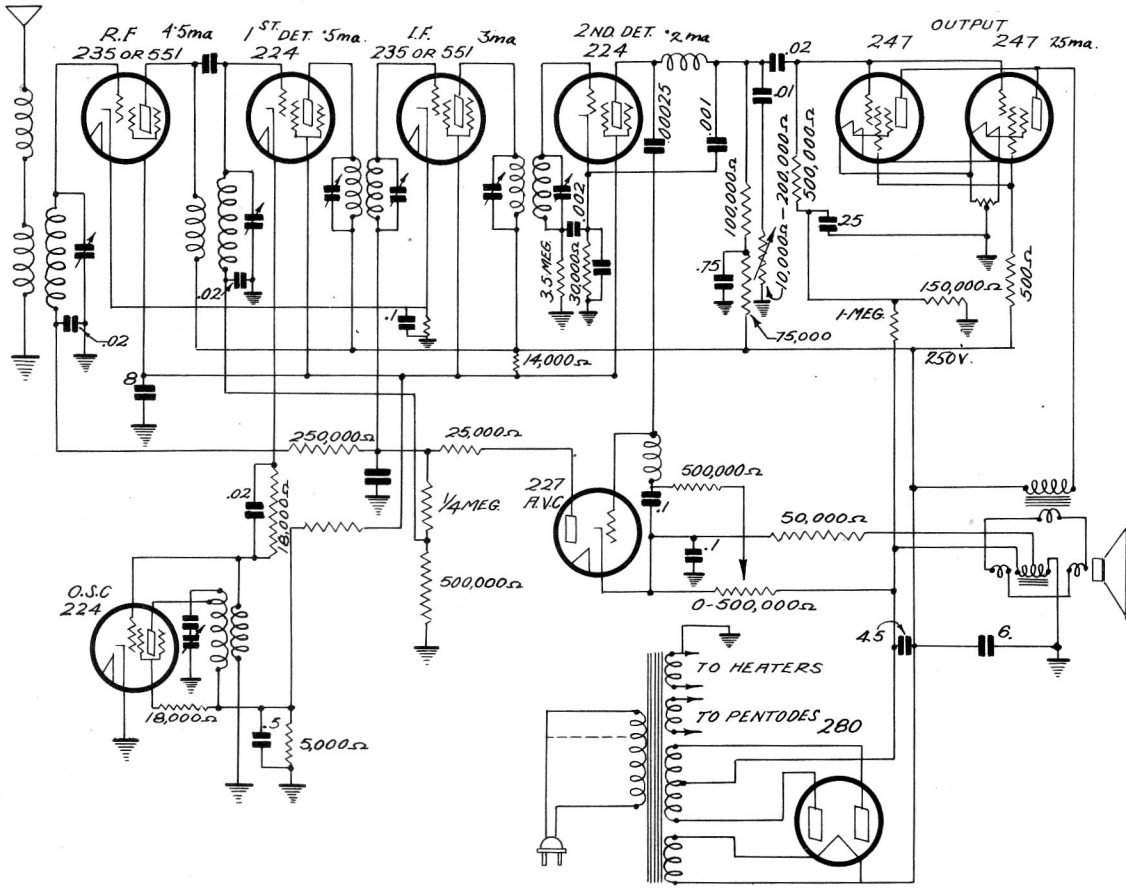


# MODEL - E 1931-32 IF-175 KC



# MODEL - II 1931-32 IF 175 KC

