

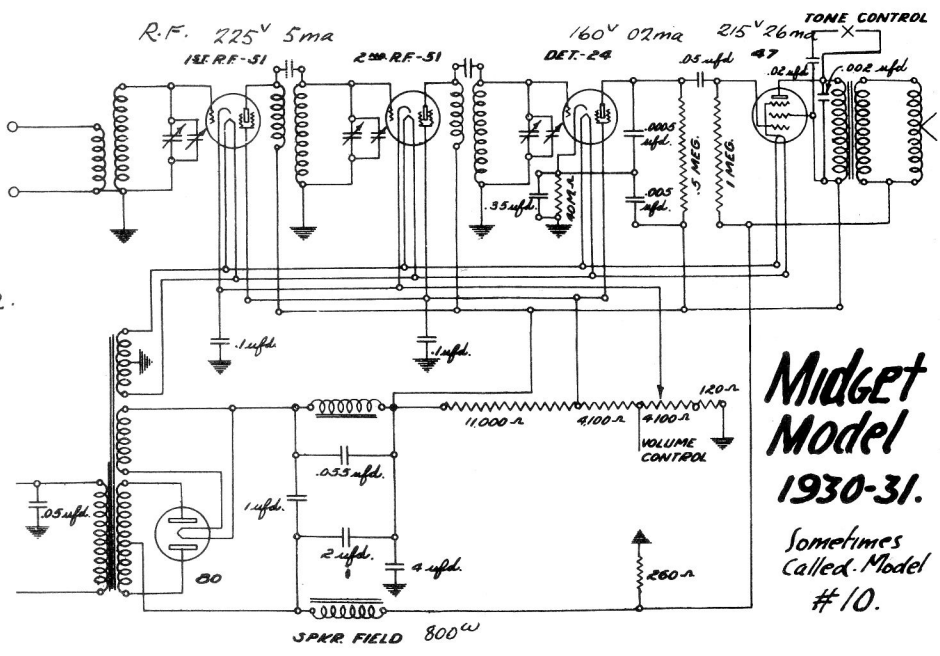
Models. 15-22 1930-31

Additional Data on Models 17-25 ('E')

VOLTAGES ON RF-1F + 1 Det. AWR.
Plate 250^v Screen 75^v
Osc 35^v
AVC. 22^v
2Det 200^v

Models 12.16.23. ('D')

| | | |
|-----|------------------|---------|
| RF. | 245 ^v | 5 ma |
| 1D | 230 ^v | 4 ma |
| 1F. | 230 ^v | 1.25 ma |
| 2D | 215 ^v | 75 ma |
| Osc | 35 ^v | 1.2 ma |
| PWR | 220 ^v | 25 ma |



Midget Model 1930-31.

Sometimes Called Model #10.