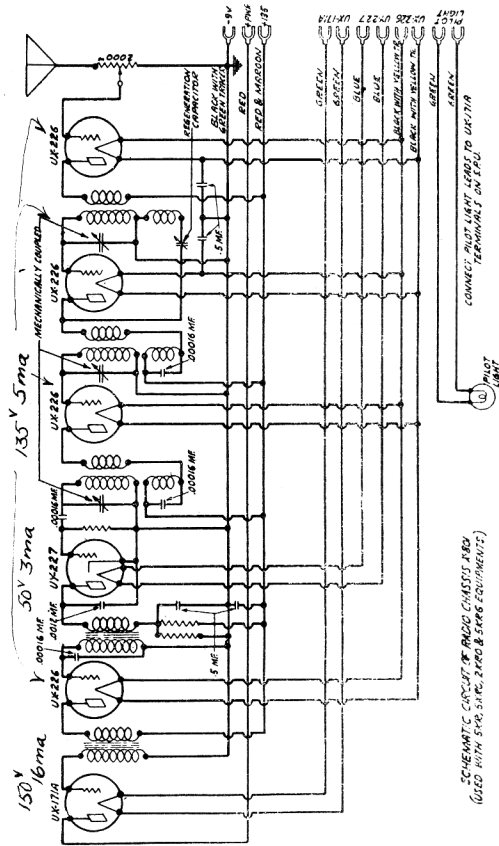
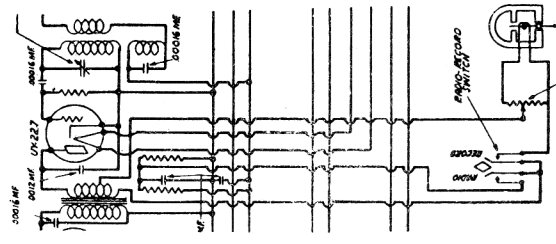
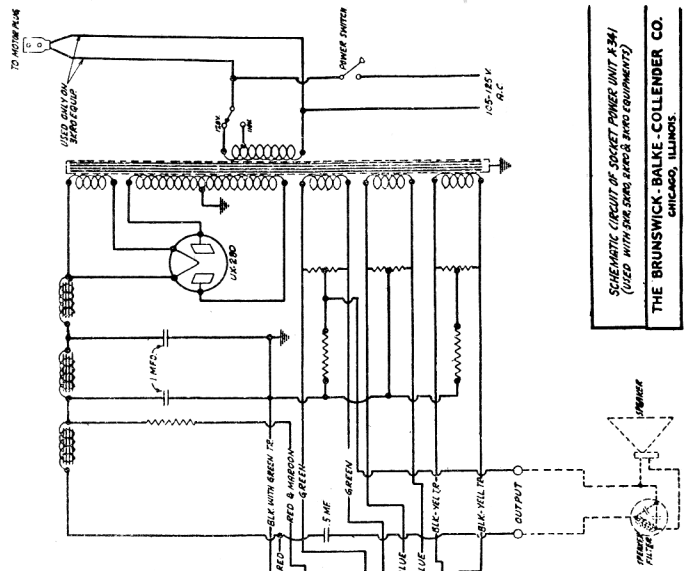


**DETECTOR
CIRCUIT FOR
COMBINATION
MODELS.**

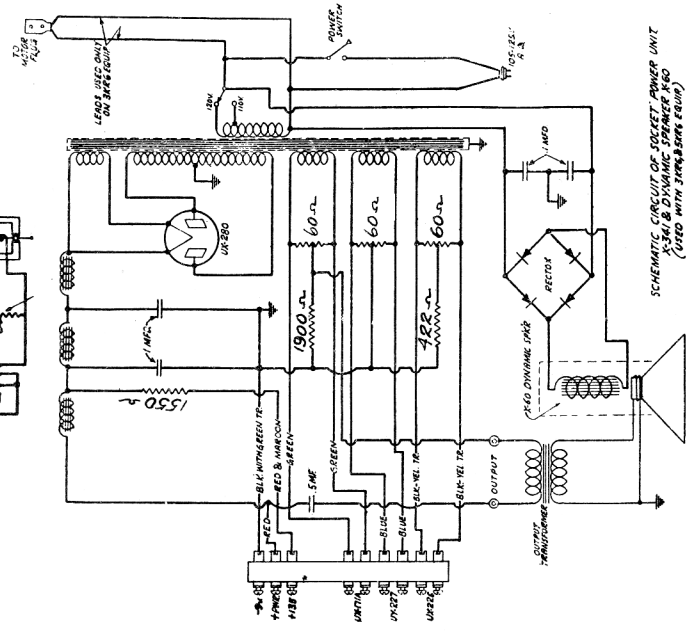


SCHEMATIC CIRCUIT OF RADIO CHASSIS AND
(USED WITH 3KR6, 3KR7, 3KR8 & 3KR9 EQUIPMENTS)

CONNECT PILOT LIGHT LEADS TO UK-11A
TERMINALS ON 6P10



SCHEMATIC CIRCUIT OF SOCKET POWER UNIT (3KR6)
(USED WITH 3KR6, 3KR7, 3KR8 & 3KR9 EQUIPMENTS)
THE BRUNSWICK-BALKE-COLLINDER CO.
CHICAGO, ILLINOIS.



SCHEMATIC CIRCUIT OF SOCKET POWER UNIT
(USED WITH 3KR6, 3KR7, 3KR8 & 3KR9)

Printed in Canada.

Courtesy Brunswick-Balke-Collender Co. Ltd.

- 1928-29 Brunswick Chassis same as Radiola 18.
- 5 KR Table Model, 2KR0 Comb, with mechanical phonograph.
- 5 KR0 Console, with Magnetic Speaker, 3KR6 Electric Pantrope with Magnetic Speaker.
- 5 KR6 Console, with A/C Dynamic Speaker, 3KR6 Electric Pantrope with A/C Dynamic.