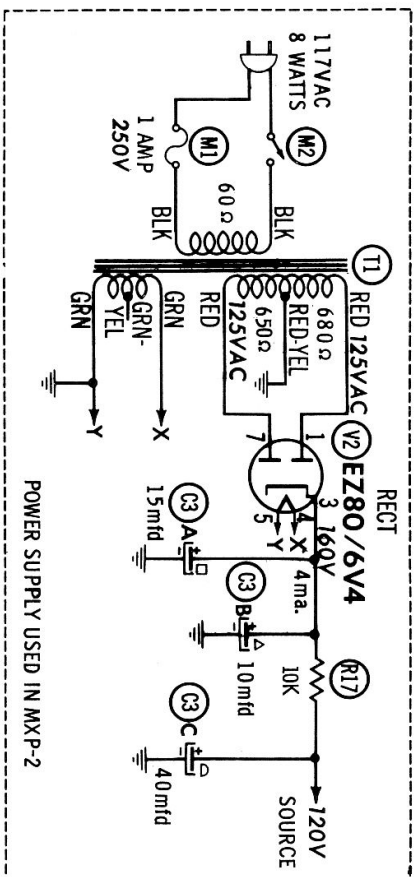
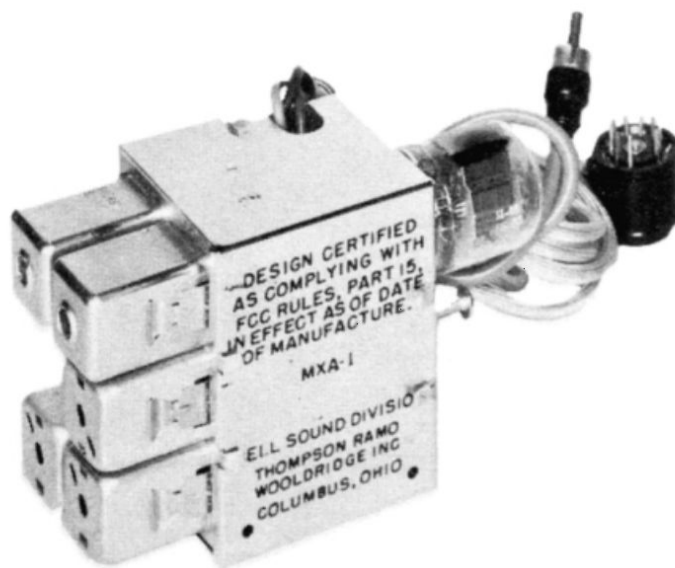


BELL MXA-1, MXA-2, MXA-3 MXA-4, MXP-2


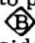



F.M. Stereo Multiplex Alignment Data

BELL MXA-1, MXA-2, MXA-3 MXA-4, MXP-2



ALIGNMENT INSTRUCTIONS

	CONNECT SCOPE	ADJUST	REMARKS	
1.	19KC To Input .	Vert. amp. to pin 7 V1, low side to chassis.	A1	Adjust for maximum deflection. Set Scope to lock-in 2 cycles.
2.	"	Vert. amp. to point  , low side to chassis.	A2	Adjust for maximum deflection of 4-cycle waveform.
3.	67KC to Input .	"	A3	Short pin 7 of V1 to chassis. Adjust for MINIMUM deflection. Remote short.
4.	19KC to Input.	Vert. amp. to point  , low side to chassis.	A4	Adjust for MINIMUM deflection.
5.	"	Vert. amp. to point  , low side to chassis.	A5	"