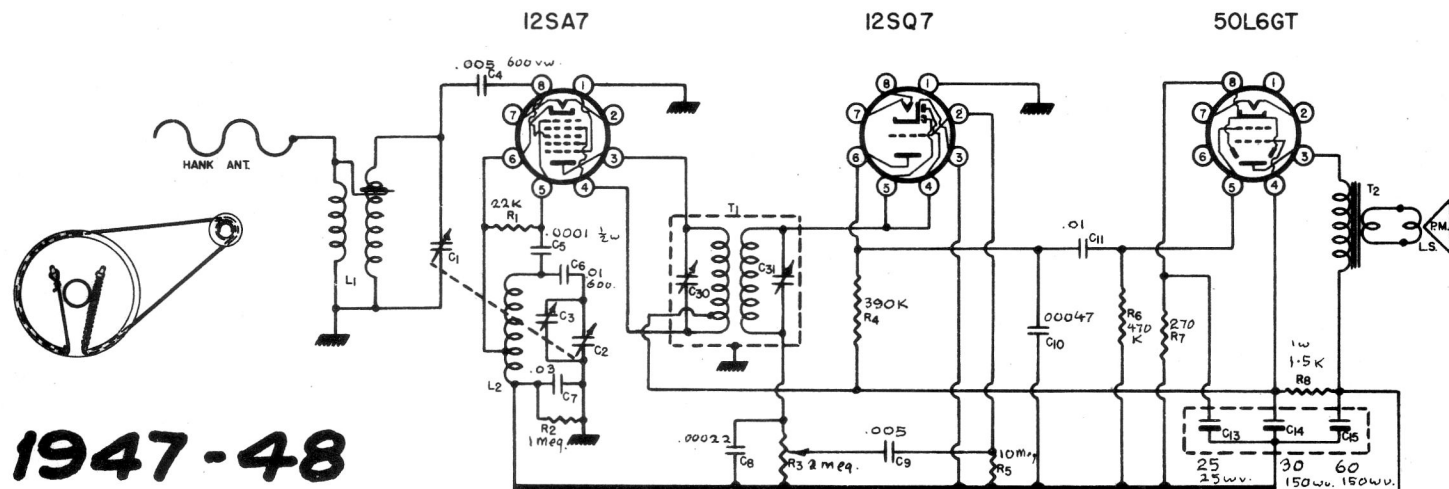


CONNECT S.G. OUTPUT	INPUT FREQUENCY	RECEIVER DIAL SETTING	ADJUST	CIRCUIT RESONATED	REMARKS
*12SA7	456 KC.	Gang at Min.	C30,31	I.F.	Adjust for Max. output
Ant. Lead	1500 KC.	See note †	C3	Oscillator	Adjust for Max. output

\*Short oscillator section of gang through 0.1 mfd. capacitor to chassis.

†Since there is no trimmer on the R.F. section, it is necessary to rock the gang while adjusting the Osc. trimmer until Max. output is reached. This brings the Ant. & Osc. gang sections into tracking at this point, and a further check should be made at 600 KC. In most cases the tracking at this point will be permissible, but if not it may be made to track by bending the R.F. plate at this point.



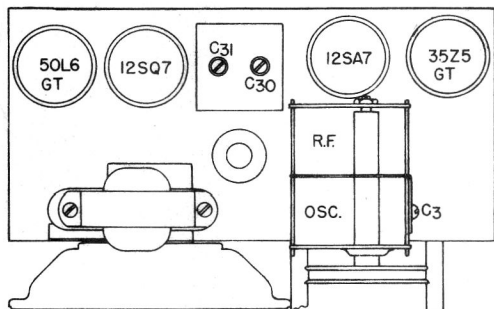
**1947-48**

**SOCKET VOLTAGES**

TYPE	PLATE	SCREEN GRID	CATHODE	FILAMENT
12SA7				
Det.	100 V.	100 V.	.....	12 V.
12SQ7	50 V.	.....	.....	12 V.
50L6GT	120 V.	100 V.	8 V.	50 V.

NOTE—All voltages measured with the line voltage of 117 Volts.

**IF. = 456 KC**



**AC-DC  
MODEL  
DR-109**