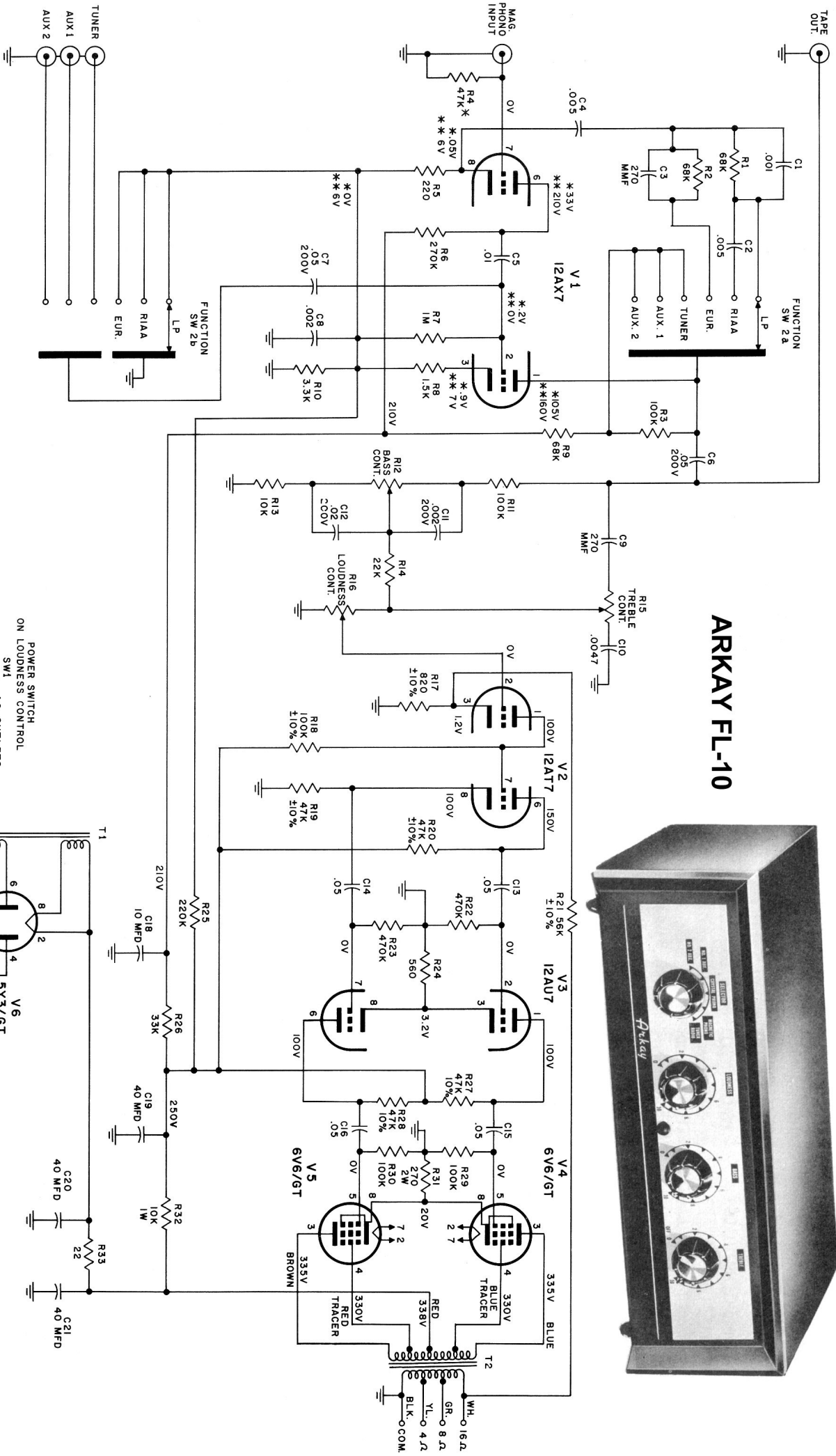
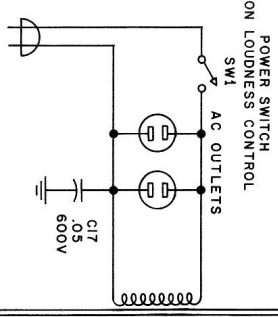


ARKAY FL-10



UNLESS INDICATED
 ALL RESISTORS 1/2 WATT 20%
 ALL CAPACITORS 2.000V
 VOLTAGES MEASURED WITH 20,000
 OHMS PER VOLT METER
 LINE AND NO SIGNAL APPLIED
 VOLTAGE READINGS ARE APPROXIMATE.

* MAGNETIC POSITION OF FUNCTION SWITCH.
 ** OTHER POSITIONS OF FUNCTION SWITCH.



RADIO KITS, INC.	
FL-10	
SCHEMATIC DIAGRAM	
DESIGNED BY	DATE
MANUFACTURED BY	DATE
RUN 4	