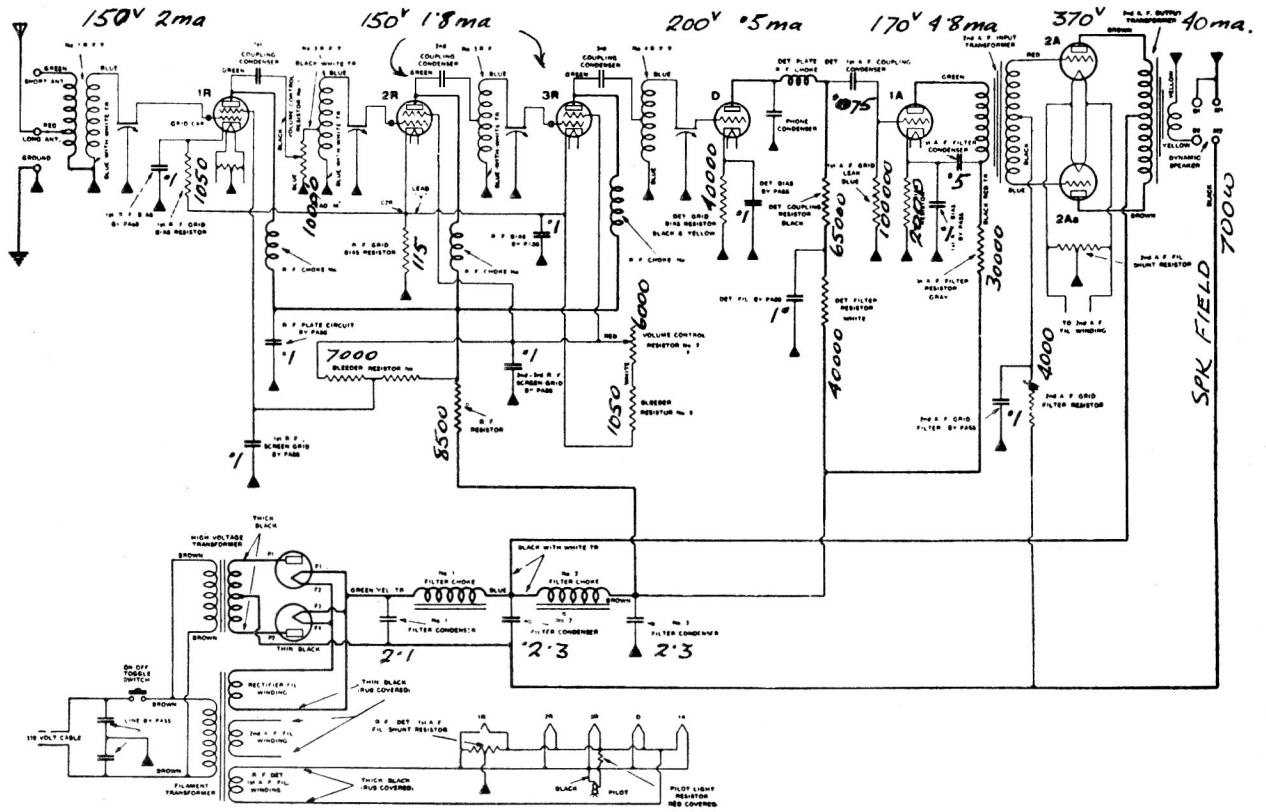


**1929-30
Model 66**



CIRCUIT OF MODEL 66.

In some early Model 66, volume control resistor No. 1 is connected across the R. F. choke coil in the plate circuit of the 1st R. F. tube. The slider of this resistor is connected to a tap on No. 2 R. F. T. through a coupling condenser.

**1929-30
Models
67, 67C**

