



Admiral Radio

T1080



PARTS LIST FOR STEREOGRAPHIC PHONOGRAPH
MODEL PS4B1X

RESISTORS

R11	Dual 2 meg. Loudness Control....	C626
R12	Dual 2 meg. Tone Control.....	C627
R13	Dual Balance Control.....	C628
R14	47K Ohm, 1/2 W.....	60B8-473
R15	820K Ohm, 1/2 W.....	60B8-824
R16	470K Ohm, 1/2 W.....	60B8-474
R17	470K Ohm, 1/2 W.....	60B8-474
R18	150 Ohm, 1/2 W.....	60B8-151
R19	6.8K Ohm, 1/2 W.....	60B8-682
R21	Dual 2 meg. Loudness Control....	C626
R22	Dual 2 meg. Tone Control.....	C627
R23	Dual Balance Control.....	C628
R24	47K Ohm, 1/2 W.....	60B8-473
R25	820K Ohm, 1/2W.....	60B8-824
R26	470K Ohm, 1/2 W.....	60B8-474
R27	470K Ohm, 1/2 W.....	60B8-474
R28	150 Ohm, 1/2 W.....	60B8-151
R29	6.8K Ohm, 1/2 W.....	60B8-682
R31	47 Ohm, 1 W.....	60B28-49
	(Later Run) 10 Ohm, 1W.....	60B14-100
R32	2200 Ohm, 1W.....	60B14-222
R33	47K Ohm, 1/2 W.....	60B8-473

CAPACITORS

C11	100 mmfd.....	65B48-101
C12	.047 mfd....200V.....	64L6-28
C13	.02 mfd.....	65D10-34
C14	10 mfd., 3V.....	67B35-6
C15	5 mfd., 10V.....	67K3-1
C21	100 mmfd.....	65B48-101
C22	.047 mfd. 200V.....	67L6-28
C23	.02 mfd.....	65D10-34
C24	10 mfd., 3V.....	67B35-6
C25	5 mfd., 10V.....	67K3-1
C31	20 mfd., 150V.....	C629
C32	40 mfd., 150V.....	C629
C33	80 mfd., 150V.....	C629
C34	.047 mfd., 1100V.....	C634
C35	.0047 mfd., 1000V....	65D10-133

TRANSFORMERS & RECTIFIERS

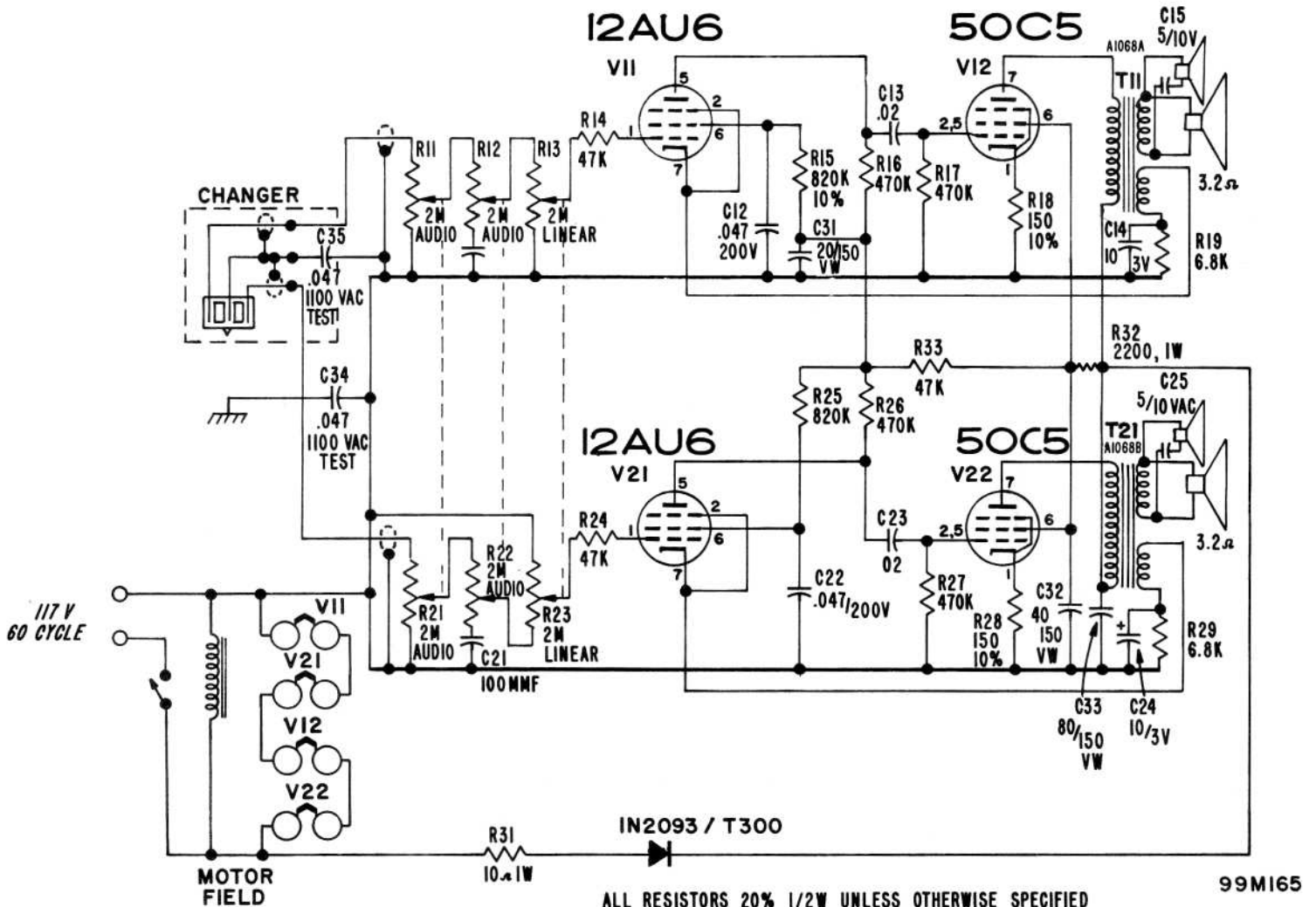
Output Xformer.....C624

Silicon Rectifier.....C625

CABINET PARTS PS4BLX

- | | | | |
|----------------------------|-------------|---------------------------------|------------|
| Master Cabinet..... | 35P154-1 | Speaker Jack (Female)..... | 88A1 |
| Speaker Unit Cabinet..... | 35P154-2 | Speaker Plug (Male)..... | 88A2-3 |
| Hinge (Master Cabinet)... | 37K33 | Remote Speaker Leads 9'..... | 89L4-1 |
| Hinge (Speaker Cabinet)... | 37K31 | Wire Connectors..... | C570 |
| Studs..... | 27K4-1 | Collaro Stereo Changer..... | 9400L1-2 |
| Catch..... | 37K32 | Stereo Cartridge..... | 409B33-1-1 |
| Handle..... | 37L30 | Electrovoice-Stylus (78)..... | 98C15-101 |
| Admiral Monogram..... | 26K30-1(12) | Stylus (LP)..... | 98C15-100 |
| Hitch Bracket (line cord) | 33B330 1(4) | Sonotone- Stereo Cartridge..... | 409C34-1 |
| Knobs (Black)..... | C630 | Saphire 78 & LP Stylus..... | 98C95-1 |
| Speaker 6 X 9"..... | C550 | | |
| Speaker 4"..... | C546 | | |
| Rubber Bumper..... | 12L6-8 (4) | | |

For a complete changer parts list, refer to collaro conquest changer manual.



ALL RESISTORS 20% 1/2W UNLESS OTHERWISE SPECIFIED
 ALL CAPACITOR VALUES IN MICROFARADS UNLESS OTHERWISE SPECIFIED
 ALL VOLTAGES MEASURED FROM B - WITH NO INPUT SIGNAL TO AMPLIFIER