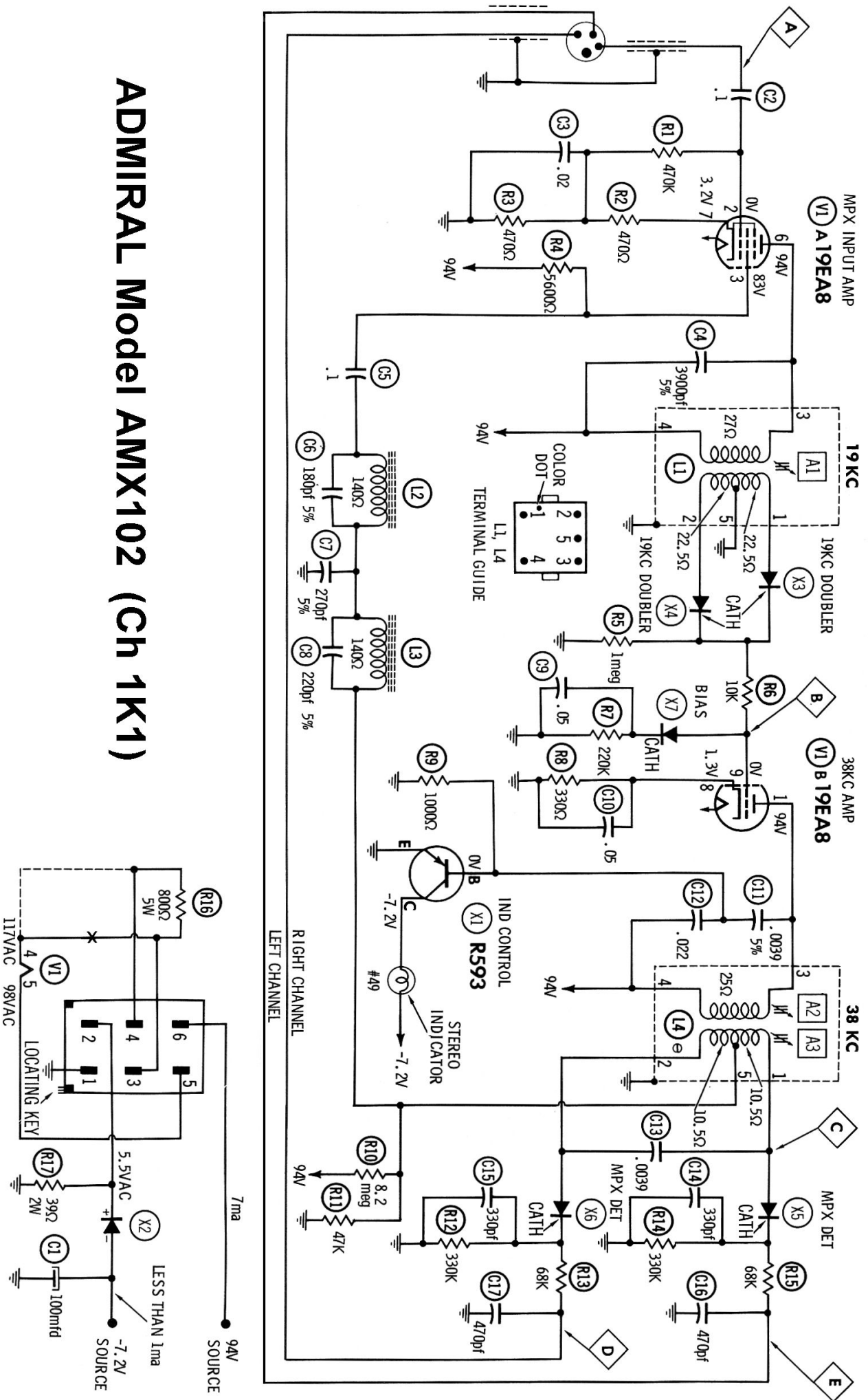


# ADMIRAL Model AMX102 (Ch 1K1)

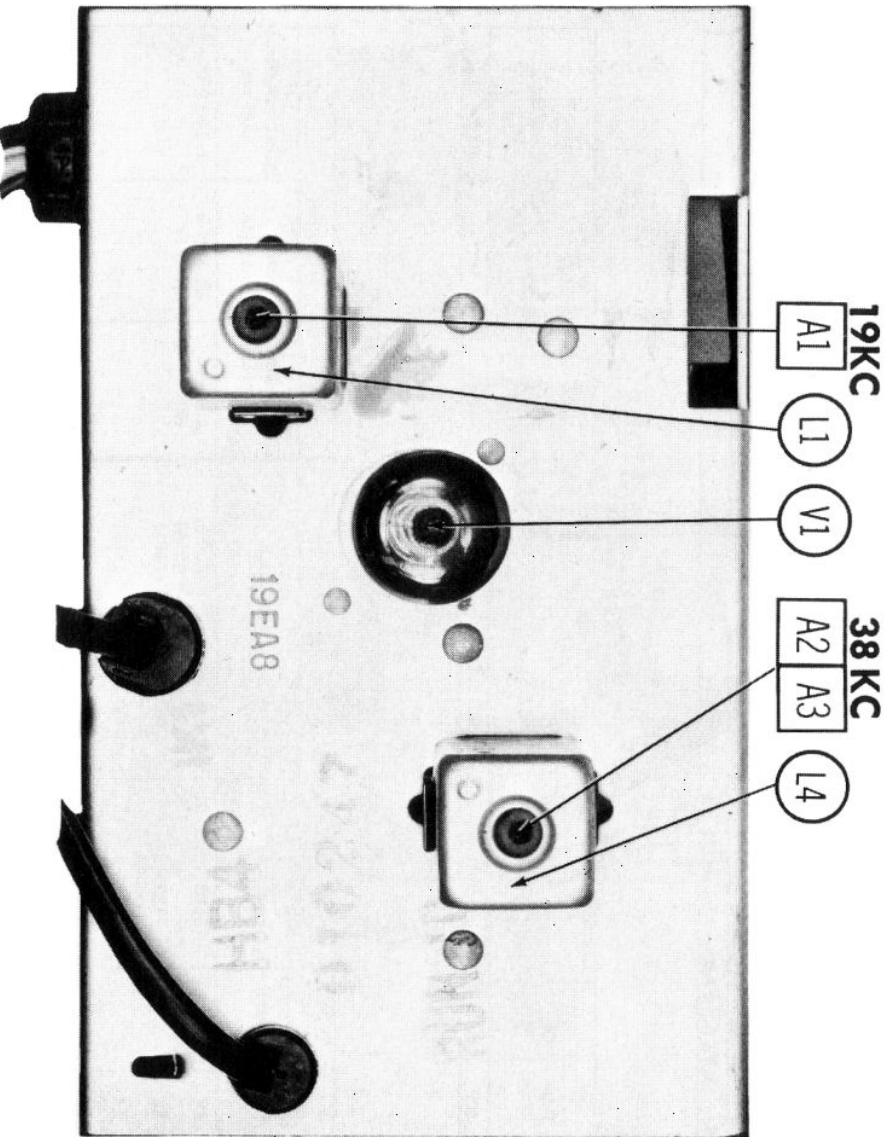


**FM STEREO MULTIPLEX ALIGNMENT USING FM STEREO SIGNAL GENERATOR ( $\pm .0001\%$ ) ACCURACY)**

Connect high side of generator to point **A**, low side to ground.

GENERATOR FREQUENCY	INDICATOR	ADJUST	REMARKS
1. 19KC	Vert. amp. thru 47K to point <b>B</b> ; low side to ground.	A1	Adjust for maximum.
2. "	Vert. amp. thru 47K to point <b>C</b> ; low side to ground.	A2, A3	Adjust maximum for 38KC response.
3. Modulated Left Channel	Vert. amp. to point <b>D</b> ; low side to ground.	A1, A2, A3	Adjust for MINIMUM. This step should require only a slight adjustment.
4. Modulated Right Channel	Vert. amp. to point <b>E</b> ; low side to ground.		Check for MINIMUM. Make compromise adjustments of A1, A2 and A3 if necessary.

To align multiplex section using an air signal, first make sure FM section is properly aligned. Tune in a strong FM stereo signal. Follow steps 1 thru 4 above.



# Admiral Model AMX102 (CH1K1)

F.M. Stereo Multiplex Alignment  
Information