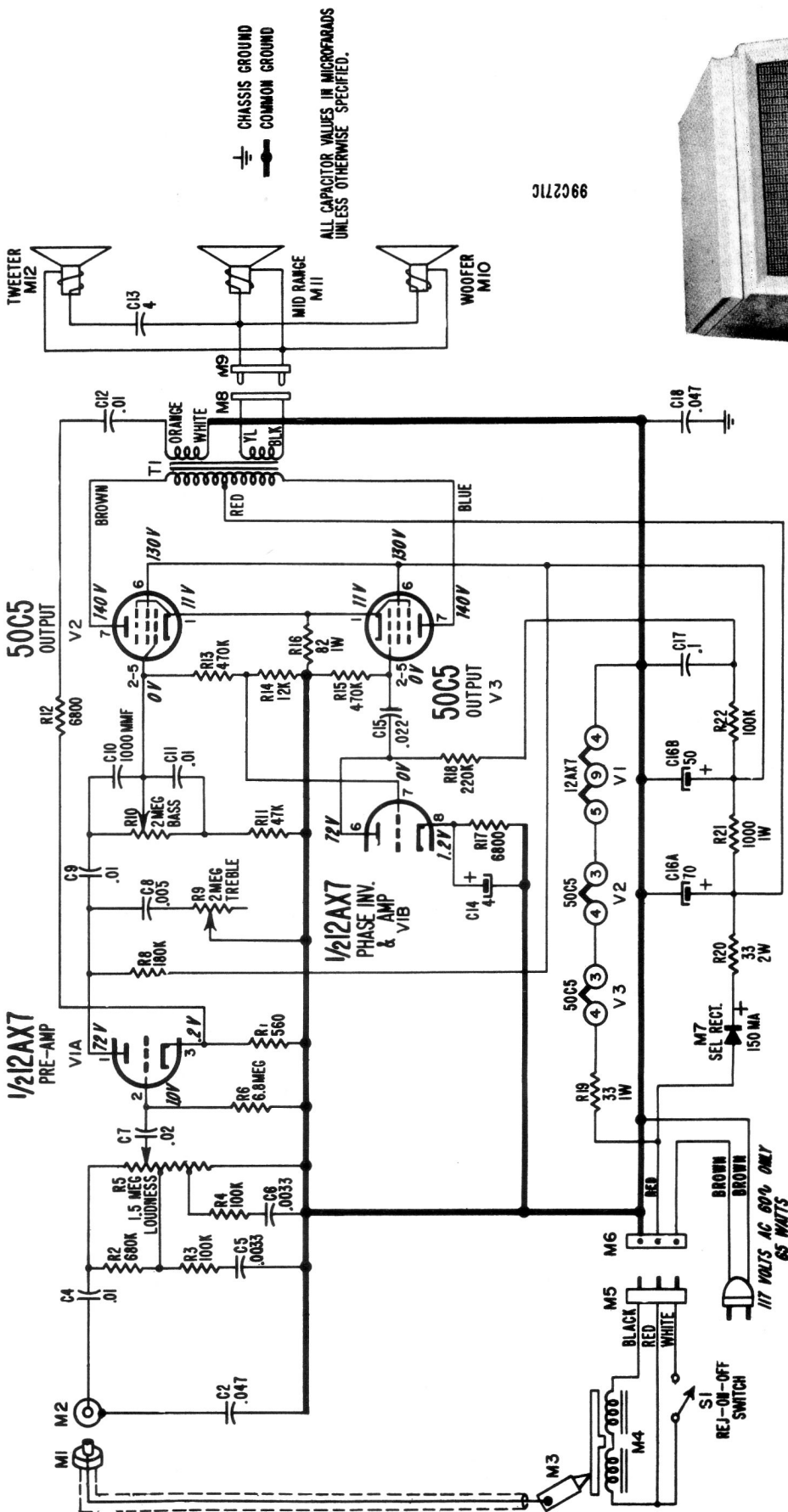


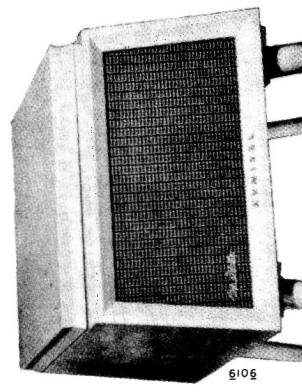
# ADMIRAL 4N2X



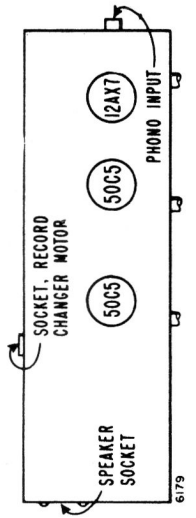
CHASSIS GROUND  
COMMON GROUND

ALL CAPACITOR VALUES IN MICROFARADS  
UNLESS OTHERWISE SPECIFIED.

99C27TC



TUBE LOCATIONS



AMPLIFICATION CHECK	VOLUME CONTROL SETTING	TONE CONTROL SETTINGS	INPUT		OUTPUT	
			Frequency	Volts	Volts	Watts
FREQUENCY RESPONSE CHECK	Fully Clockwise	Mid Rotation	1000 Cycles	0.7 Volts	3.9 Volts	4.5 Watts
	Fully Clockwise	Mid Rotation	In steps between 20 and 30,000 Cycles	0.3 Volts	Volts	Db
					2 Volts	+6 Db